

SERVICE MANUAL

Let's Shop Outdoor rollator.
From Trustcare.



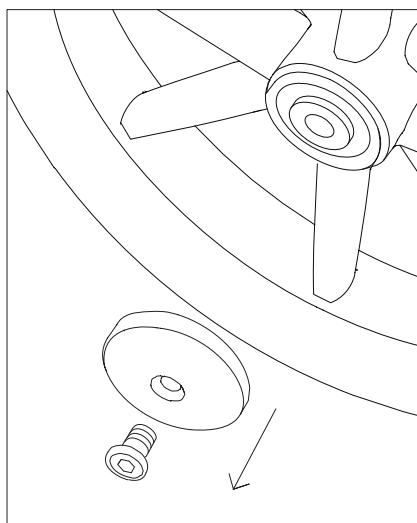
TABLE OF CONTENTS

Exchange of front and rear wheel	Art. No. LS317	Page 3
Exchange of rear wheel mounting plate	Art. No. LS323	Page 4
Exchange of brake yoke	Art. No. LS328	Page 6
Exchange of brake housing and brake lever	Art. No. LS306	Page 7
Exchange of front fork and bearings	Art. No. LS318	Page 9
Exchange of seat and seat mounting set	Art. No. LS324, LS310	Page 10
Exchange of brake wire	Art. No. LS305	Page 11
Exchange of handle tube	Art. No. LS307, LS308	Page 13
Mounting of linkage arm	Art. No. LS312, LS321	Page 15
Exchange of height adjustment button	Art. No. LS319	Page 16
Exchange of middle joint folding cross	Art. No. LS326	Page 17
Exchange of unfold hook	Art. No. LS311	Page 18
Notes		Page 19
Exploded view of brake assembly		Page 20
Disassembling the brake assembly		Page 21
Exploded view of handle assembly		Page 22
Disassembling the handle assembly		Page 23

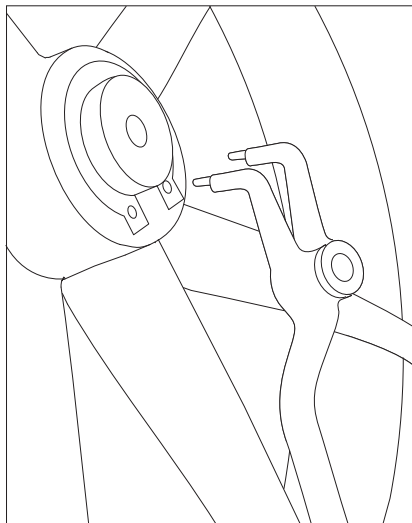
Exchange of front or rear wheel.

Let's Shop Spare part. Art. No. LS317.

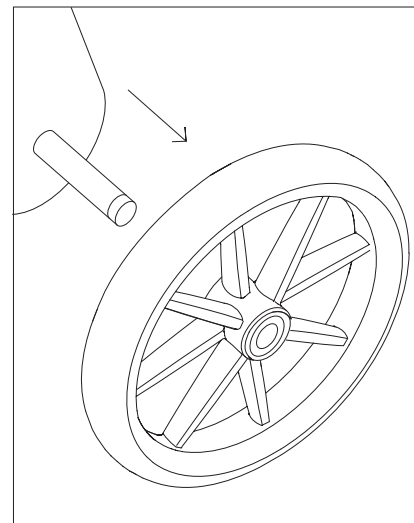
Let's Shop Service Manual. Revision version No: 1 – Nov 2019



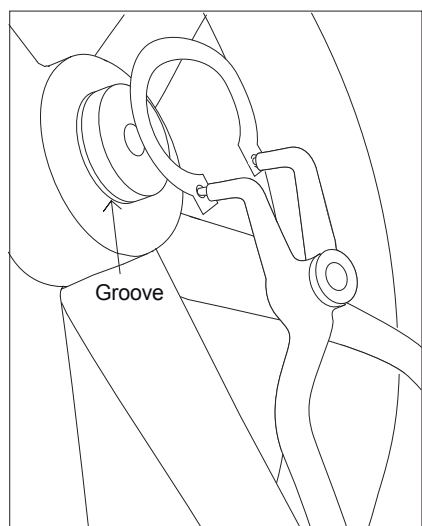
1. Unscrew the wheel cap.



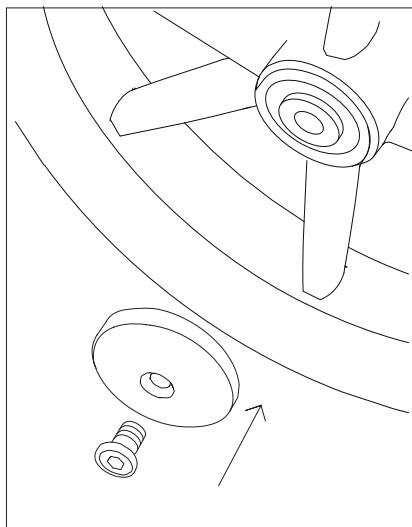
2. To replace the rear wheel, open the retaining ring (snap-ring) with pliers.



3. The wheel can be taken off and replaced with a new one.



4. Use the pliers to lock the new snap-ring firmly into the groove on the axle.

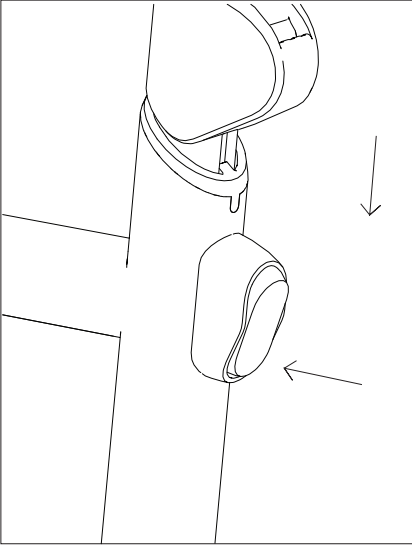


5. Screw the fender and the wheel cap back in place.

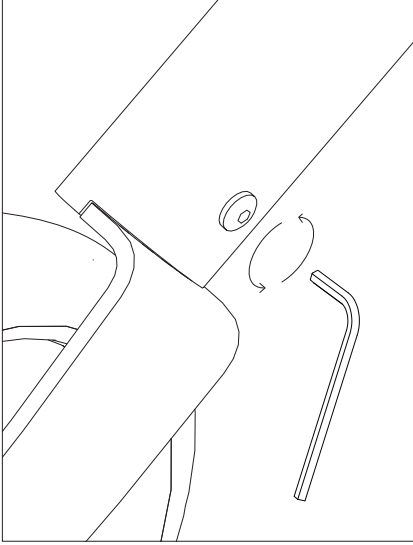
Page 1. Exchange of rear wheel mounting plate.

Let's Shop Spare part. Art. No. LS323

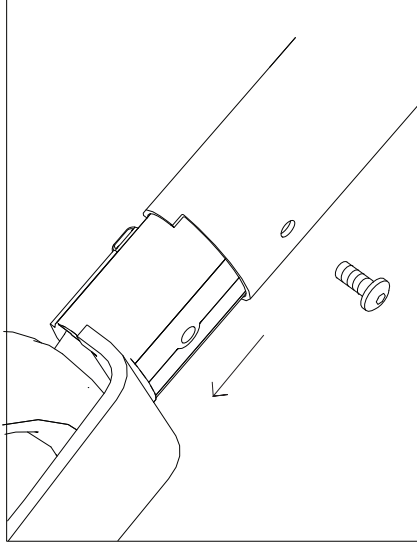
Let's Shop Service Manual. Revision version No: 1 – Nov 2019



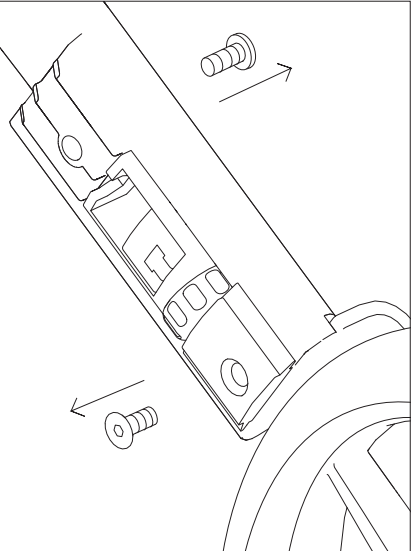
1. Put the handle in lowest position.



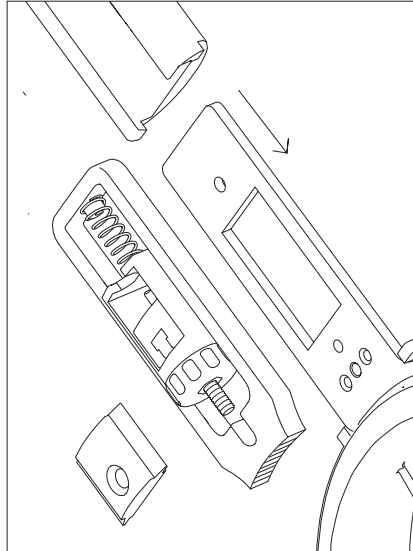
2. Unscrew screw



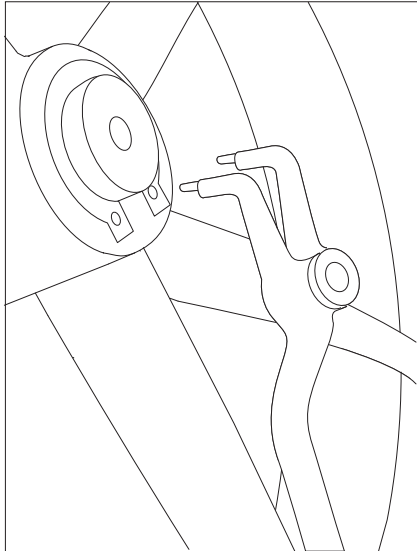
3. Pull out the brake assembly from the rear leg.



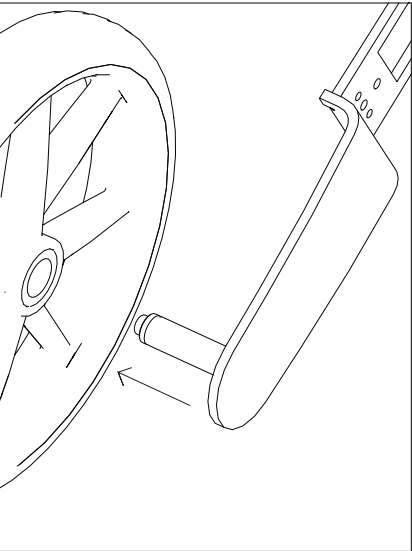
4. Remove the screw from the brake assembly and wheelplate.



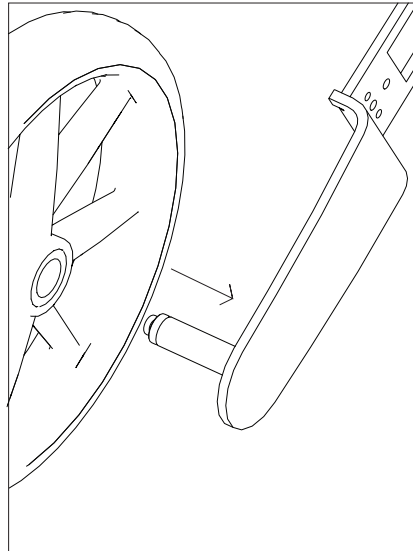
5. Pull out the rear wheel plate from the brake assembly



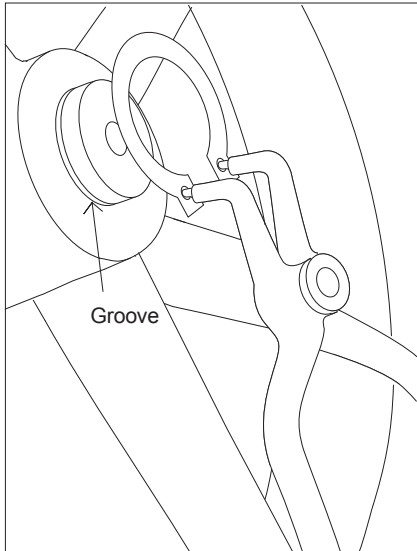
6. To remove the wheel, remove the retaining ring (snap-ring) with a pliers.



7. Remove the wheel from the old mounting plate



8. Put the wheel on the new mounting plate.

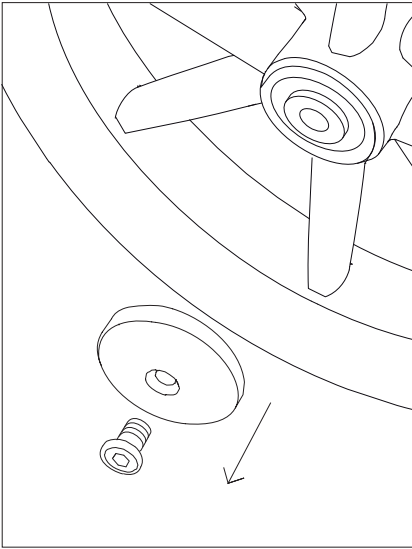


9. Use the pliers to lock the snap-ring firmly into the groove on the axle.

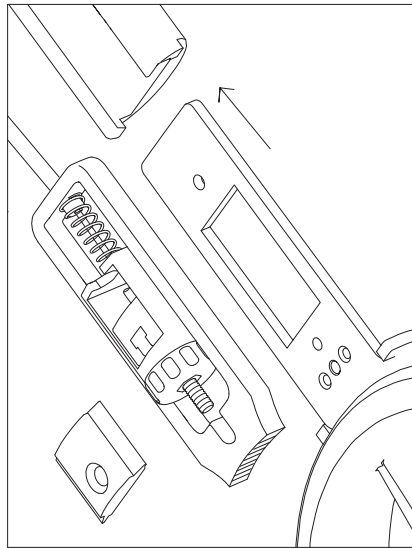
Page 2 Exchange of rear wheel mounting plate.

Let's Shop Spare part. Art. No. LS323

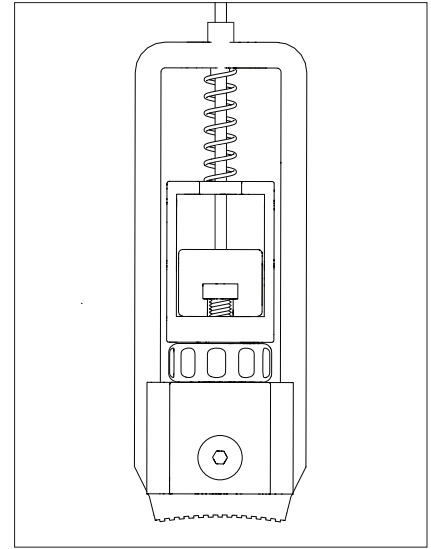
Let's Shop Service Manual. Revision version No: 1 – Nov 2019



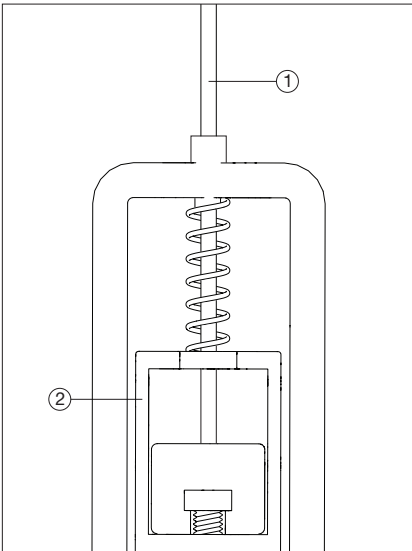
10. Put back the wheelcap.



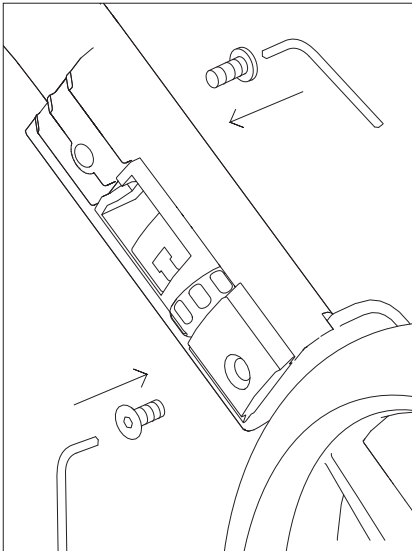
11. If the brake parts were removed Re-assemble them. See page 21.



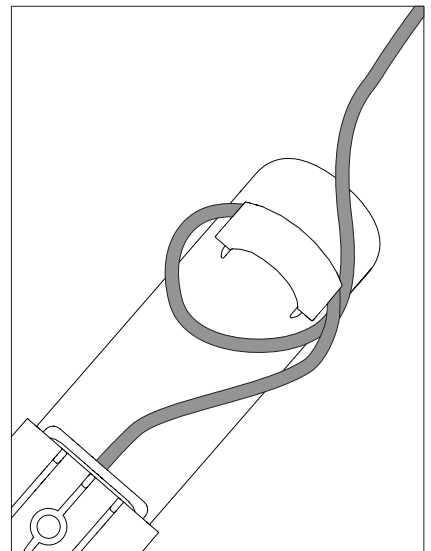
12. Check that your brake parts is assembled as above. See page 21.



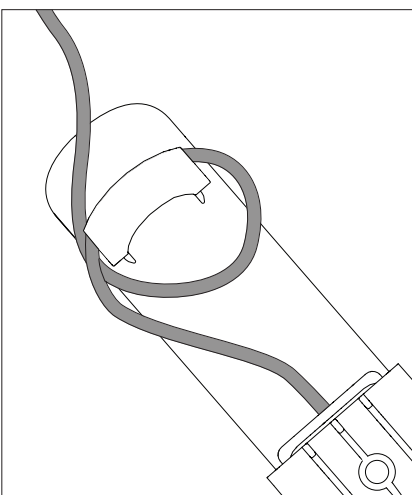
13. Make sure the brake wire (1) and brake pad (2) are connected.



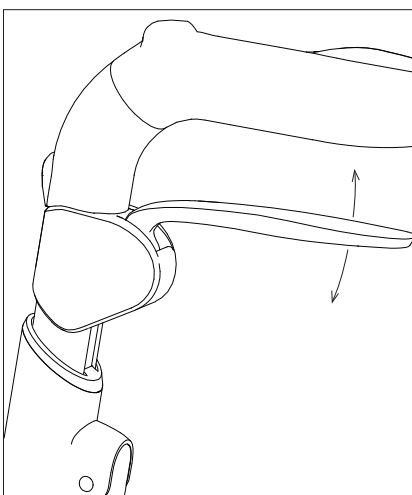
14. Tighten the screw located at the upper and lower locations.



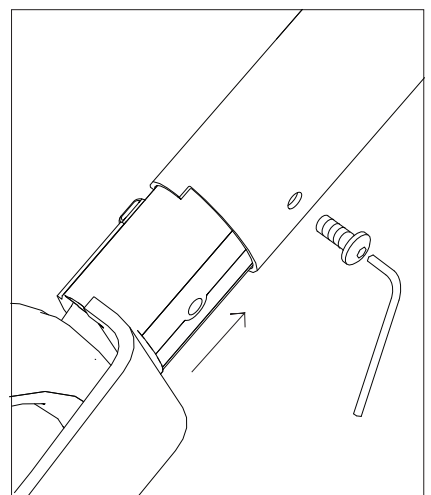
15. For left side Make a loop on the wire as above. **Important!** See page 21



16. For right side Make a loop on the wire as above. **Important!** See page 21



17. Check the function of the brake.

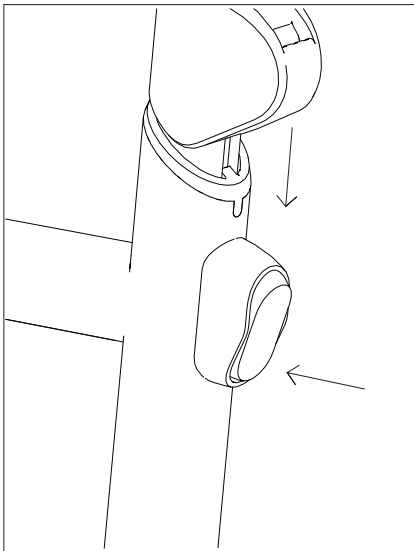


18. Push the whole assembly into the rear leg and secure the Screw.

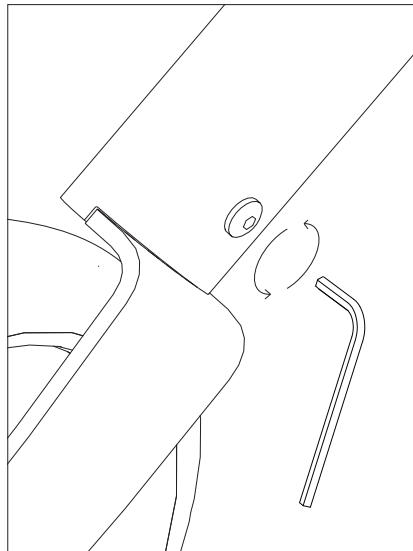
Exchange of brake yoke.

Let's Shop Spare part. Art. No. LS328.

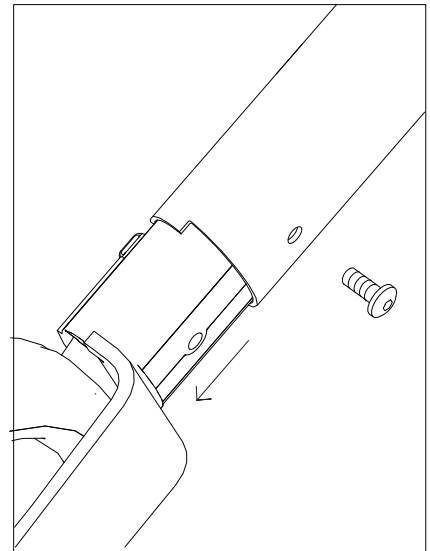
Let's Shop Service Manual. Revision version No: 1 – Nov 2019



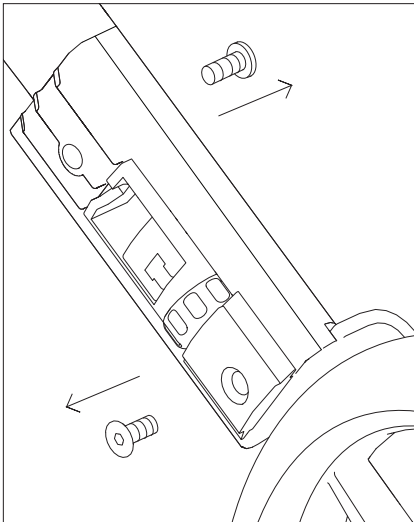
1. Push the handle down to lowest position.



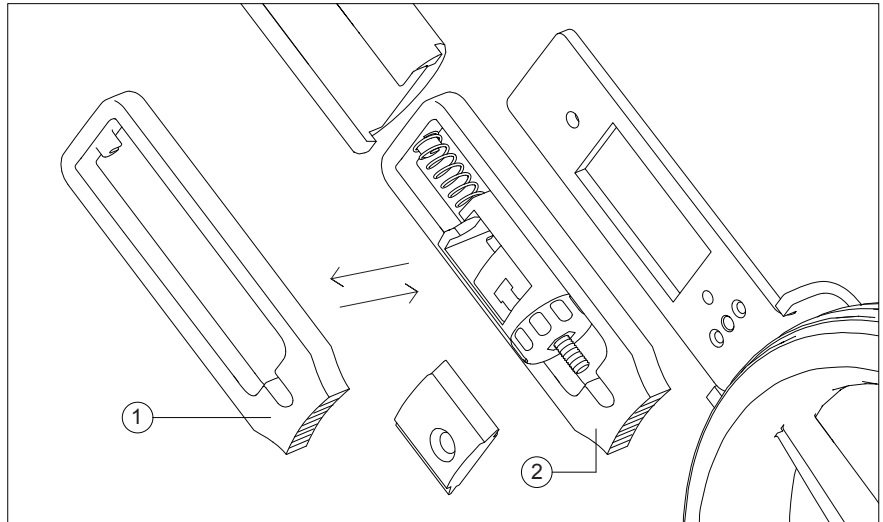
2. Unscrew the screw.



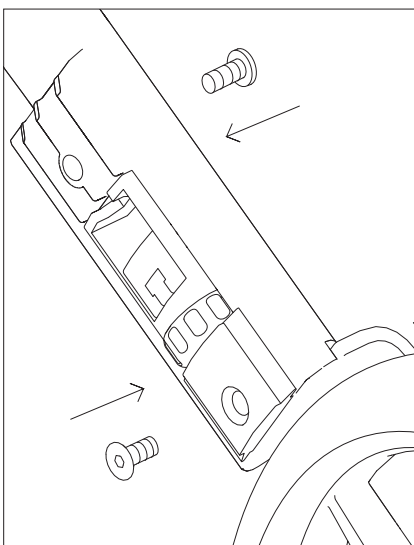
3. Pull out the brake assembly from the rear leg.



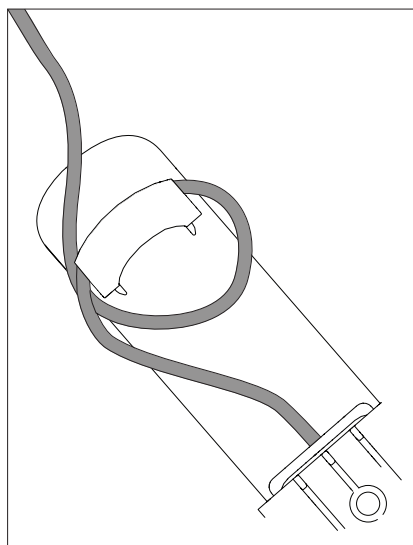
4. Remove the screw and open the brake assembly.



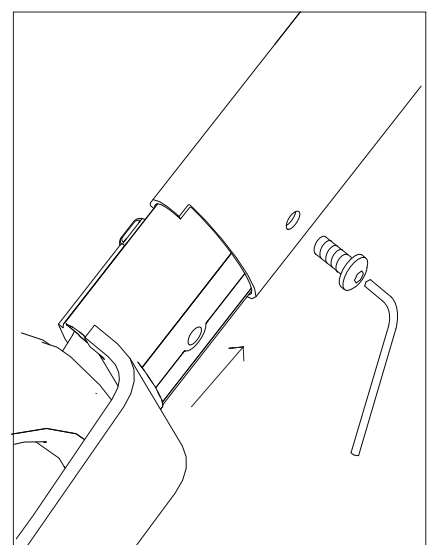
5. Remove the old brake yoke (1). Insert the new brake yoke (2) and assembly together with wire.



6. Secure the screws for the brake assembly.



6. Make a wire loop.
Important! See page 21

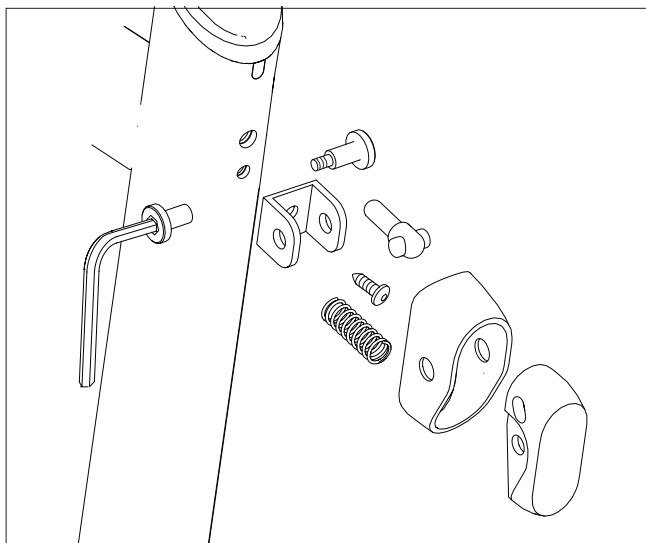


7. Push together and secure with the screw.

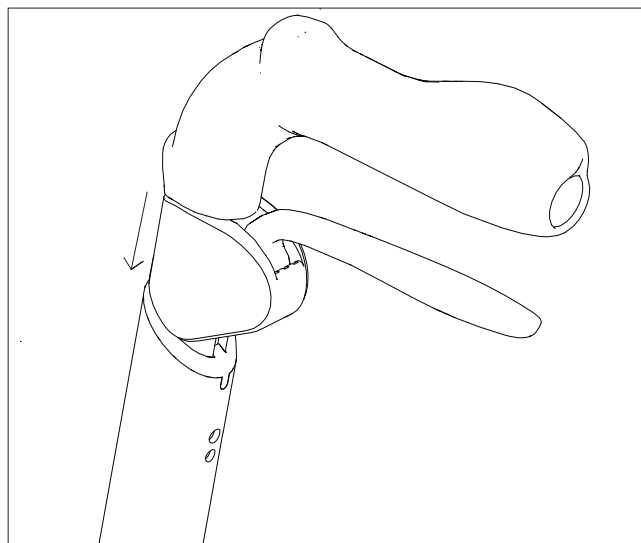
Page 1. Exchange of brake housing and brake lever.

Let's Shop Spare part. Art. No. LS306

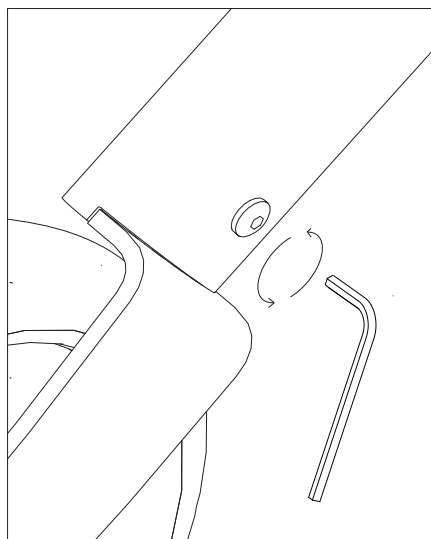
Let's Shop Service Manual. Revision version No: 1 – Nov 2019



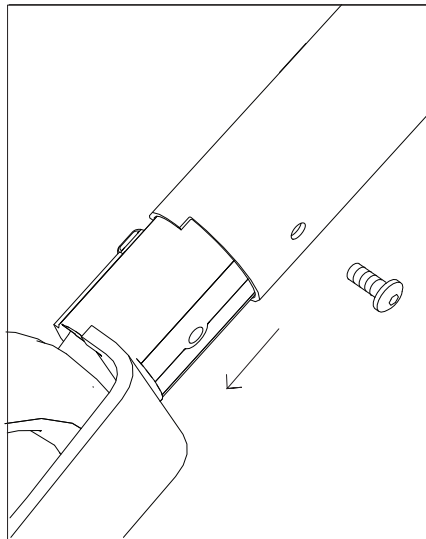
1. Unscrew the two screw and remove the height adjustment button components.



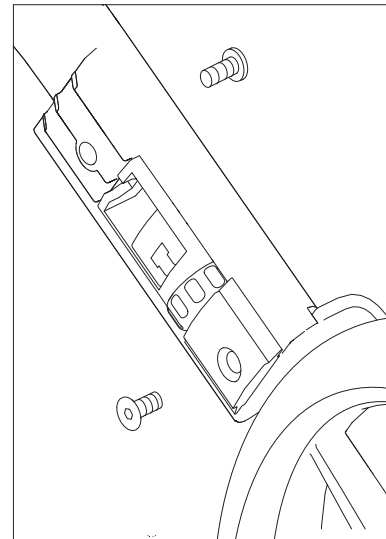
2. Lower the handle to lowest position.



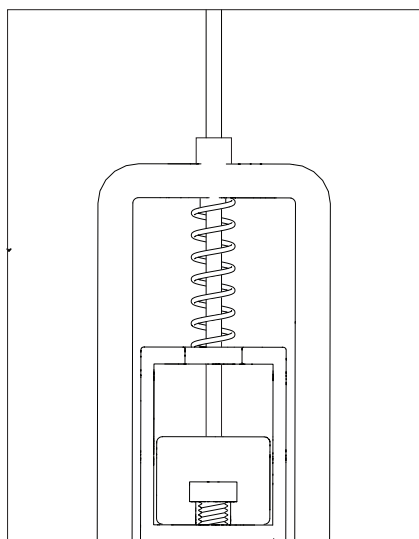
3. Unscrew the screw.



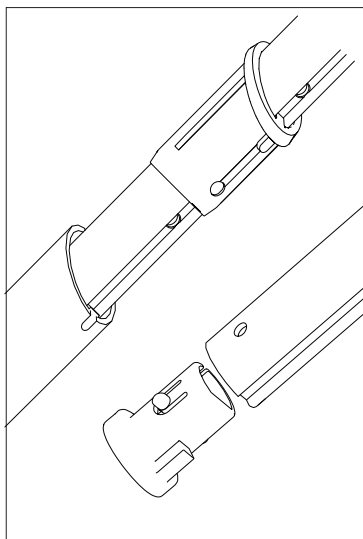
4. Pull out the brake parts. See page 20-21 for detailed view.



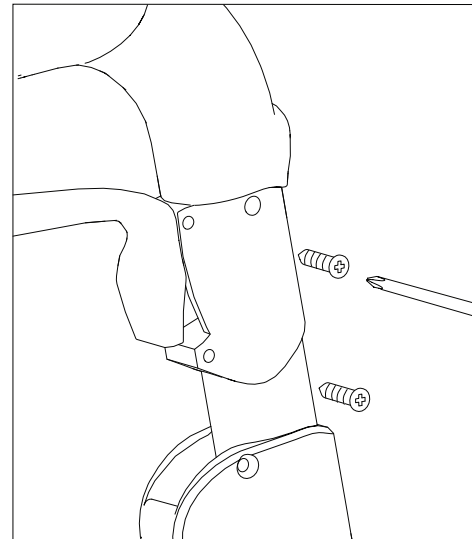
5. Unscrew the screw on the rear and front side.



6. Unmount the wire.
Important! See page 21.



7. Pull out the handle tube from the frame.
Important! See page 22-23.

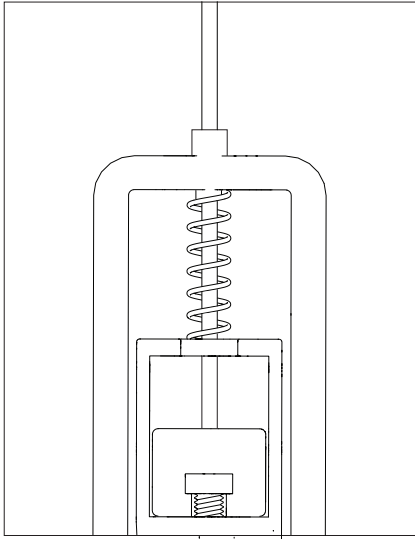


8. Put on the new brake housing/ brake lever and screw on the two screws holding the brake housing.

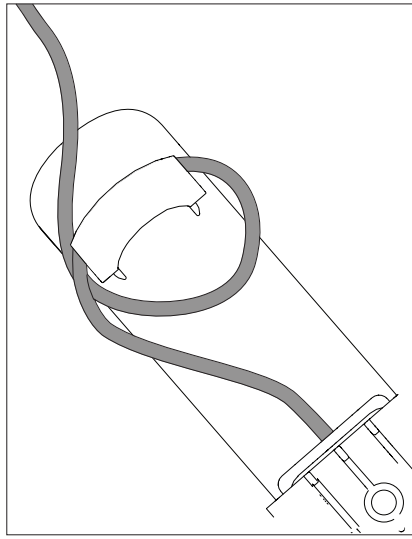
Page 2. Exchange of brake housing, brake lever.

Let's Shop Spare part. Art. No. LS306.

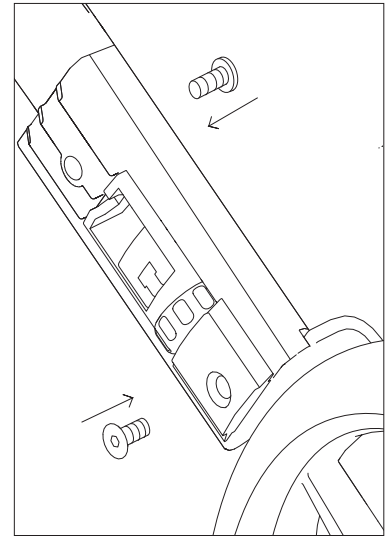
Let's Shop Service Manual. Revision version No: 1 – Nov 2019



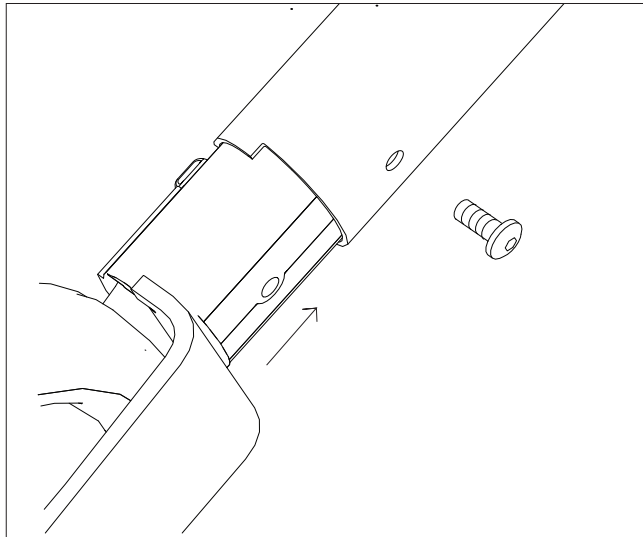
9. Reattach the brake wire.



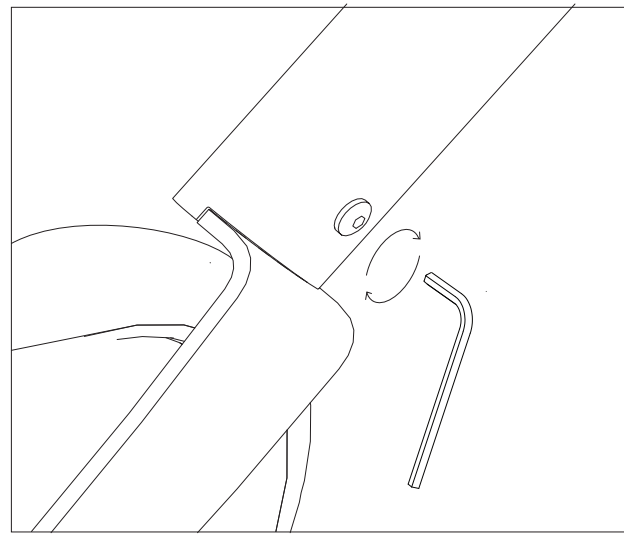
10. Put together the brake assembly.
Important! See page 21



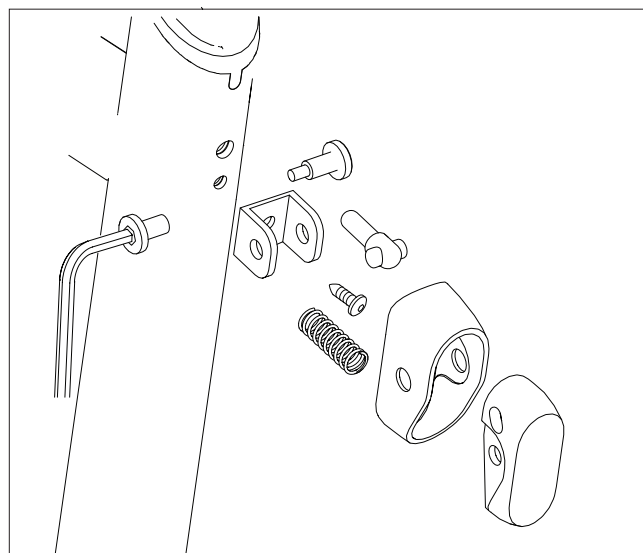
11. Screw together the brake assembly.



12. Insert the rear brake assembly into the frame.



13. Screw in the screw to secure the brake assembly to the frame.

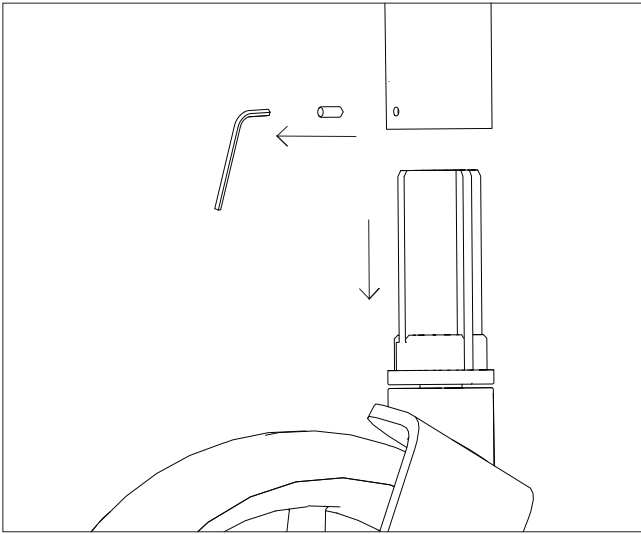


14. Screw the height adjustment mechanism back in place.

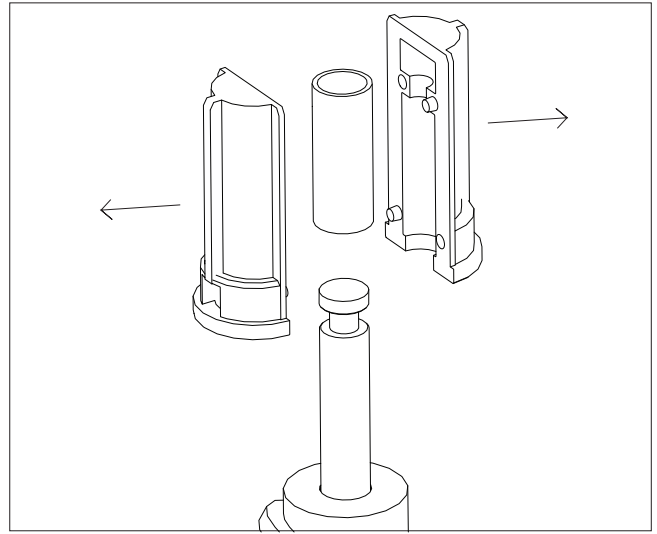
Exchange of front fork and bearings.

Let's Shop Spare part. Art. No. LS318.

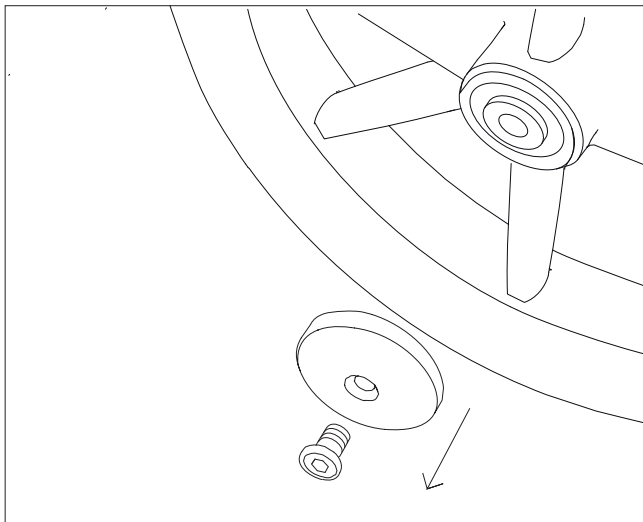
Let's Shop Service Manual. Revision version No: 1 – Nov 2019



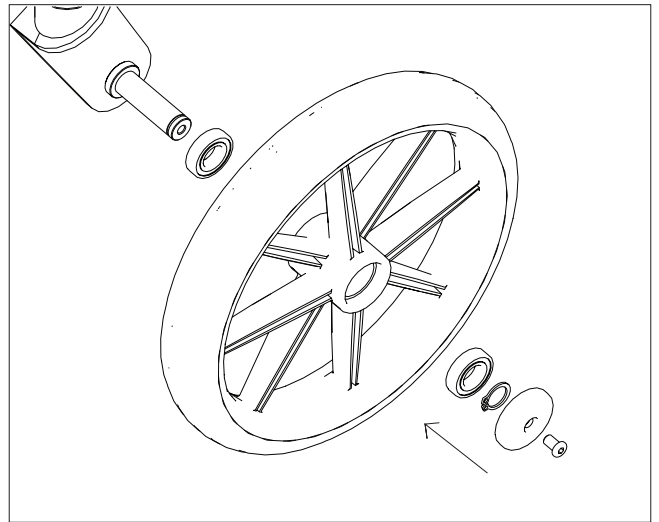
1. Remove the small screw and pull out the front wheel assembly.



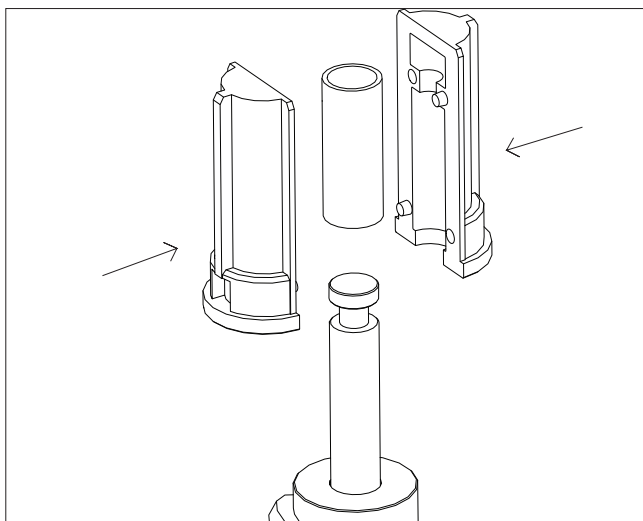
2. Separate the front fork and bushing.



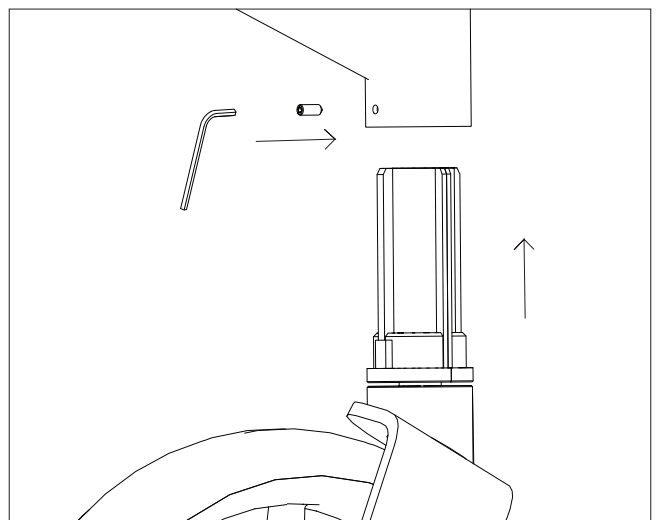
3. Unscrew the wheelcap screw, remove the C-clip and remove the wheel from the fork.



4. Mount the wheel on the new fork with clip C and screw B including the two ball bearings.



5. Mount the new bearing into the front leg of the rollator.

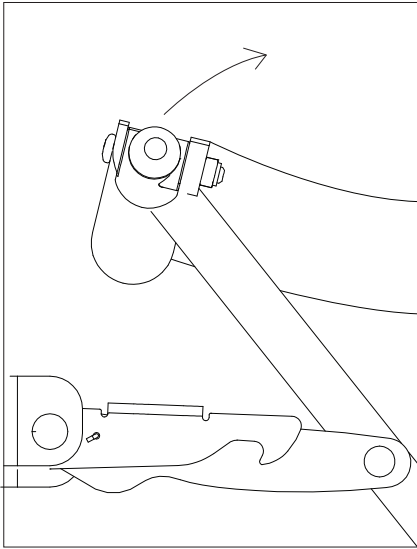


6. Push the front fork assembly in position and secure with the small screw.

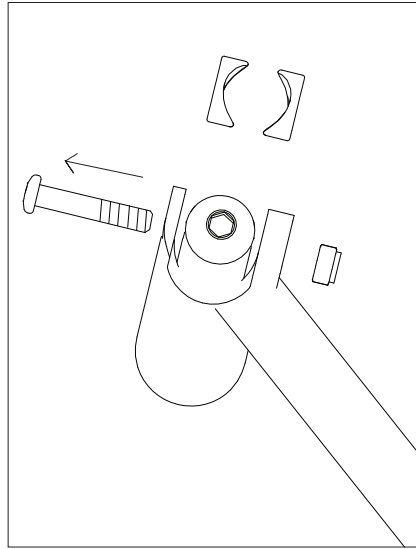
Exchange of seat and seat mounting set.

Let's Shop Spare part. Art. No. LS310, LS324

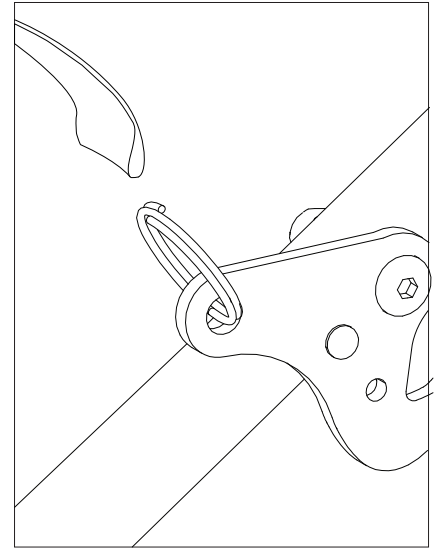
Let's Shop Service Manual. Revision version No: 1 – Nov 2019



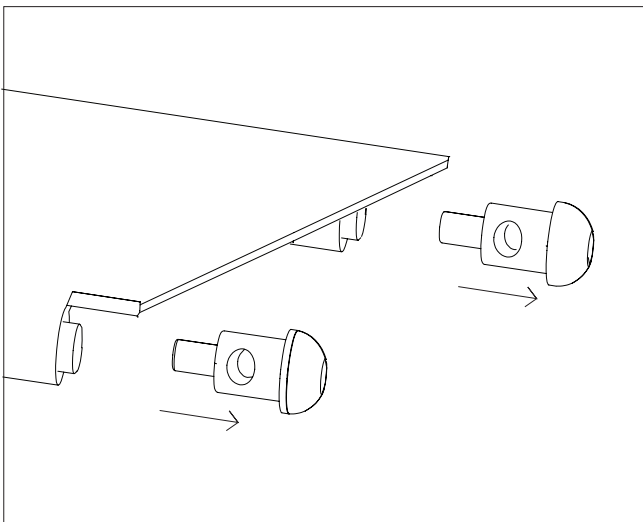
1. Partly fold the rollator so that the seat is loose and not stretched.



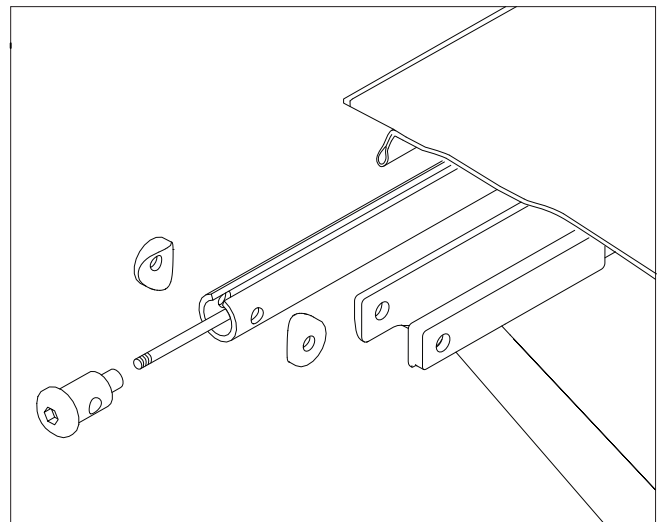
2. Use allen key to unscrew the seat screw.



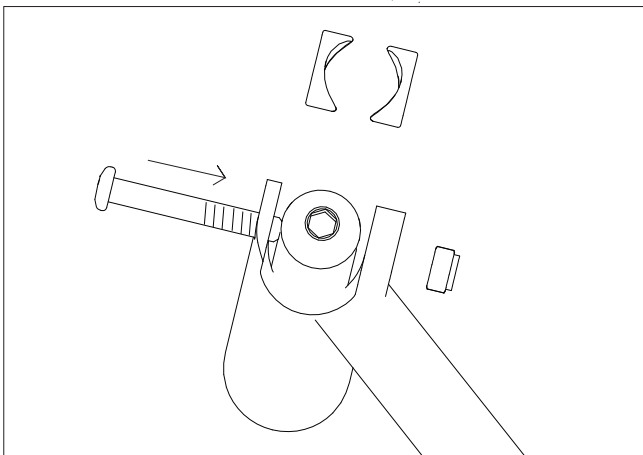
3. Remove the fabric band from the unfold hook.



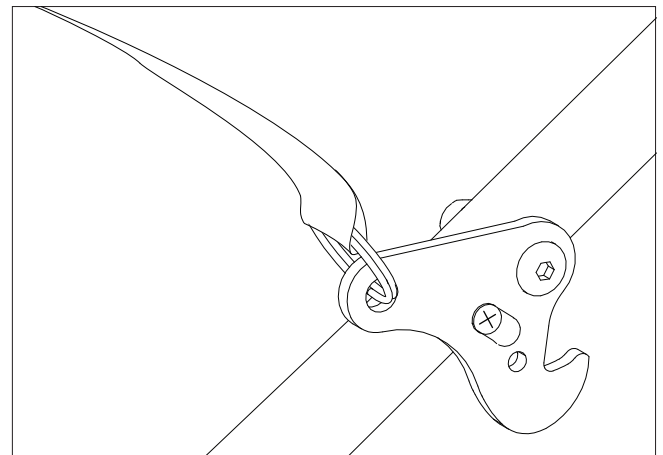
4. If the seat is to be exchanged, screw of the dome nuts and pull out the seat from the metal tubes.



5. Complete view of the disassembled seat.



6. Screw back the seat screws. Use an allen key for indexing the fabric.

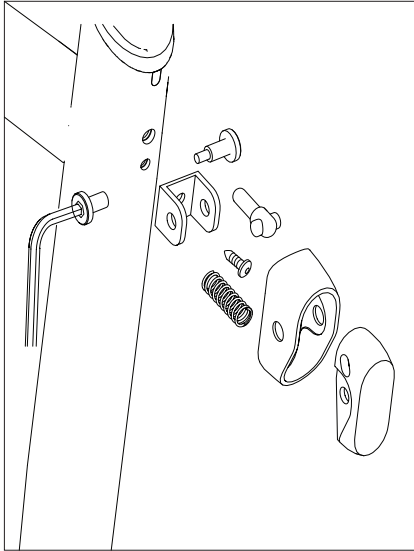


5. Put back the seat strap in the key ring.

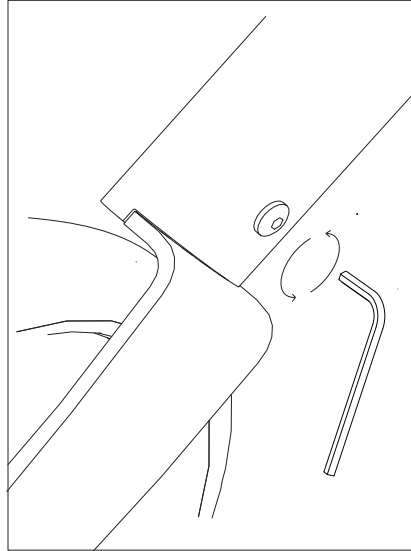
Page 1 Exchange of brake wire.

Let's Shop Spare part. Art. No. LS305.

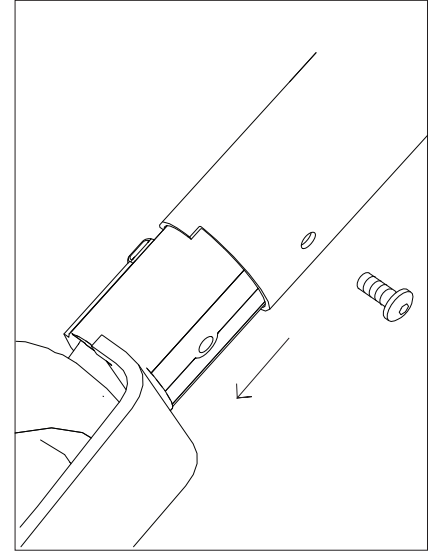
Let's Shop Service Manual. Revision version No: 1 – Nov 2019



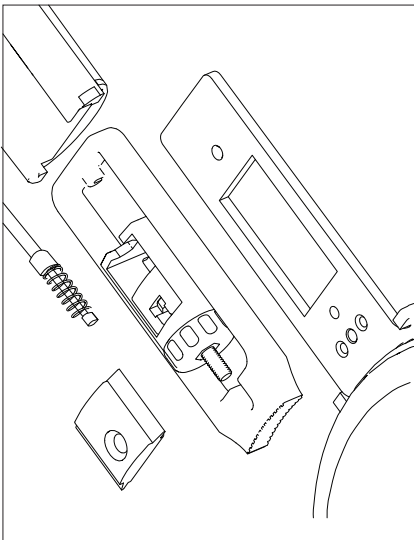
1. Unscrew the screws and remove the height adjustment. See page 23



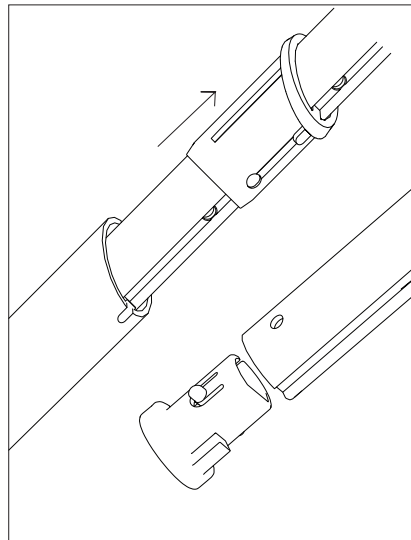
2. Unscrew the screws and pull out the brake assembly.



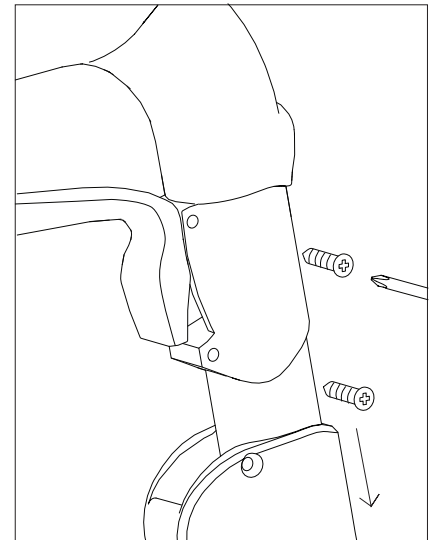
3. unscrew the screws on the brake assembly.



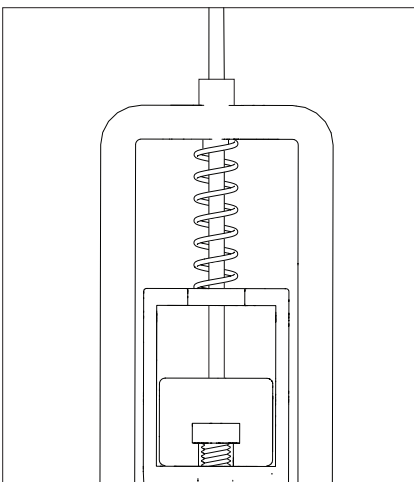
4. Disconnect the wire and pull out the handle tube from the frame.



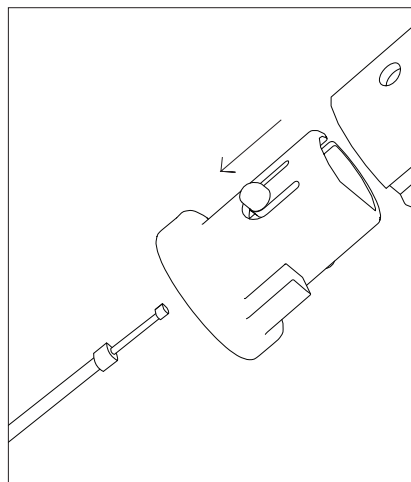
5. **Important!** See page 23-24



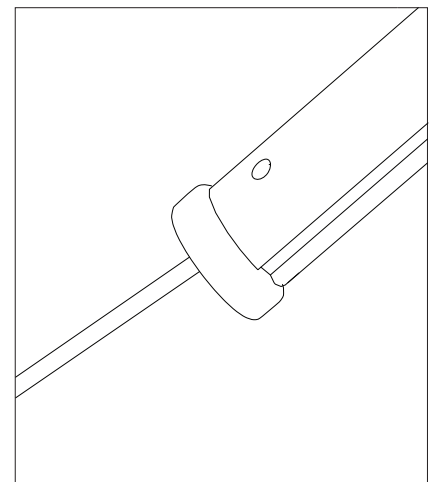
6. Unscrew the screw on the handle and pull out the brake mechanism.



7. Insert the new brake wire and reassembly. **Important!** See page 21



8. Remove the old brake wire entirely from the frame and the handle. **Important!** See page 23-24

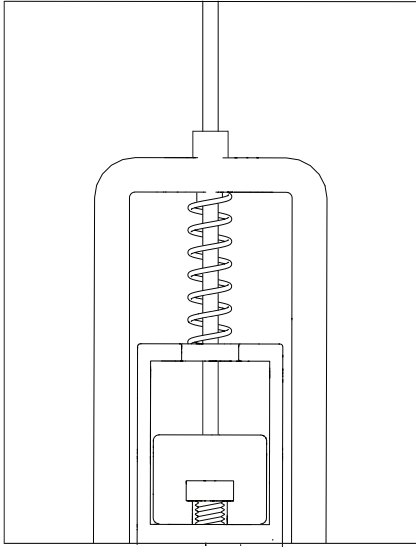


9. Insert the new wire in the handle tube from bottom and up.

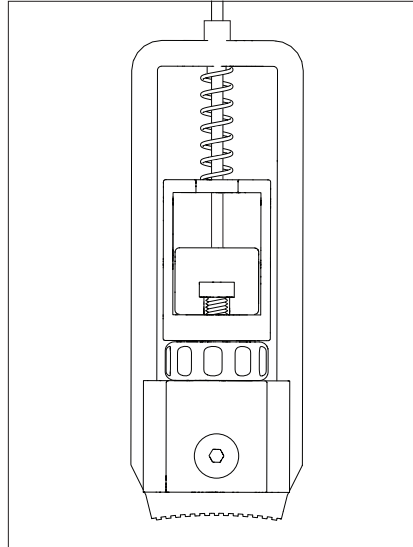
Page 2. Exchange of brake wire.

Let's Shop Spare part. Art. No. LS305.

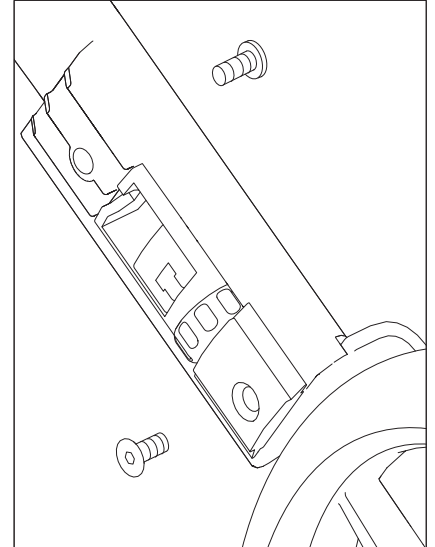
Let's Shop Service Manual. Revision version No: 1 – Nov 2019



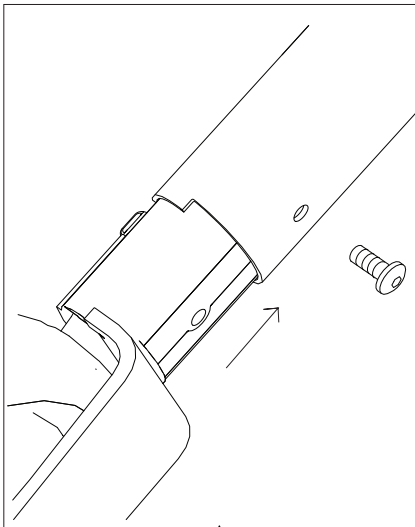
10. Attach the wire to the adjustment screw and screw in the mechanism.



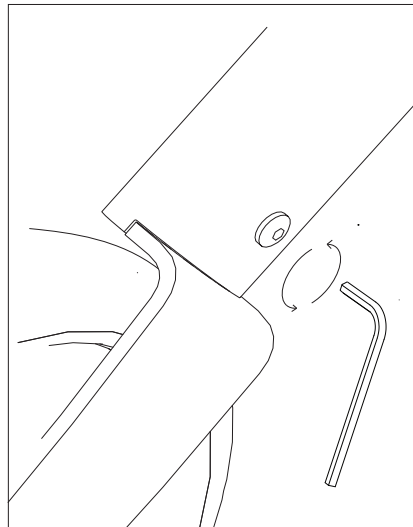
11. Assemble the brake parts as above. **Important!** See page 21



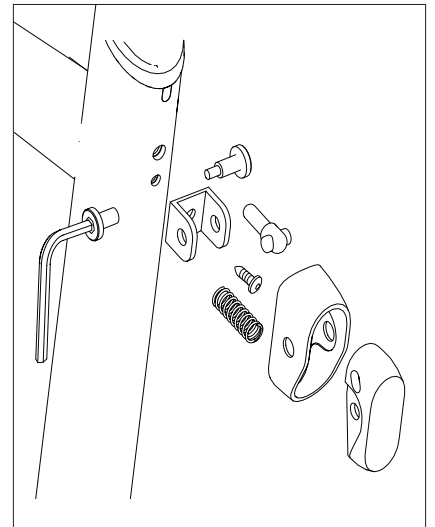
12. Screw together the brake assembly and rear wheel plate.



13. Push the rear wheel assembly in place.



14. Secure with the screw.

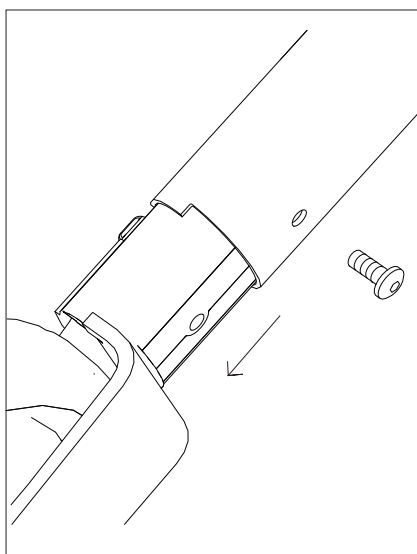


15. Reassembly the height adjustment parts.

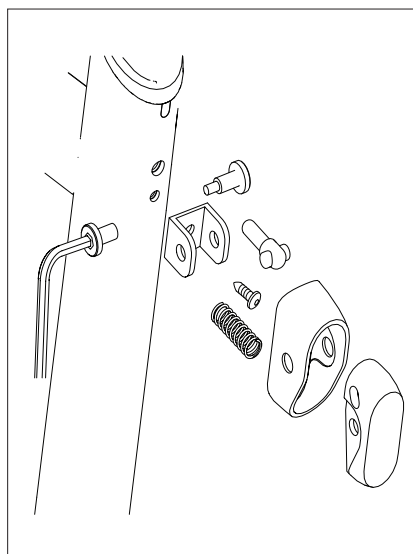
Page 1. Exchange of handle tube.

Let's Shop Spare part. Art. No. LS307, LS308.

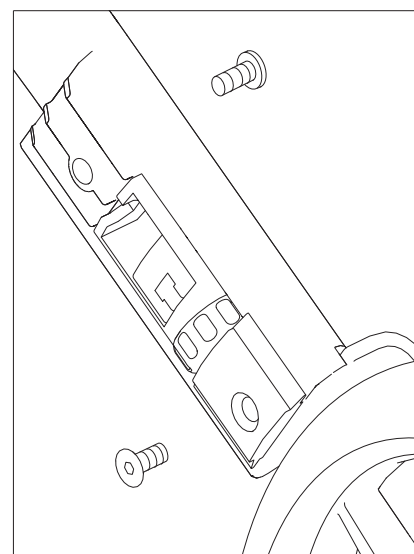
Let's Shop Service Manual. Revision version No: 1 – Nov 2019



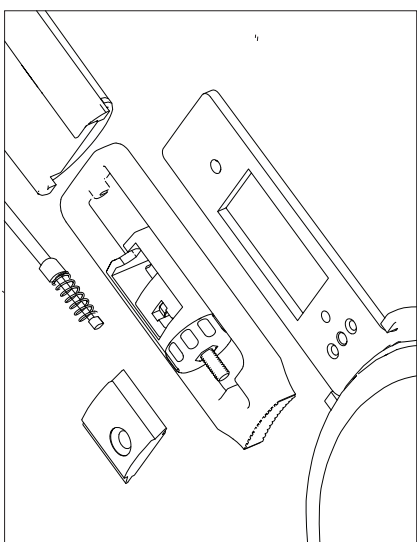
1. Unscrew the screw.
Pull out the rear wheel assembly



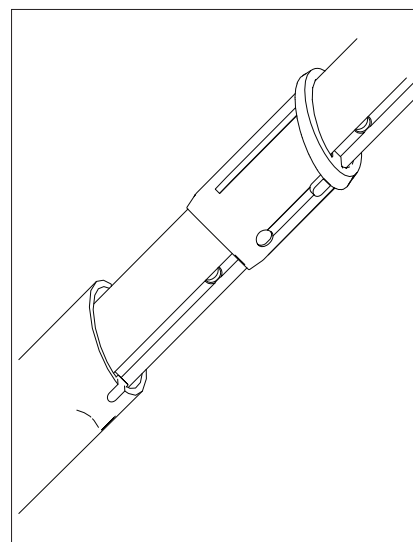
2. Unscrew screw A and remove the height adjustment. See page 23.



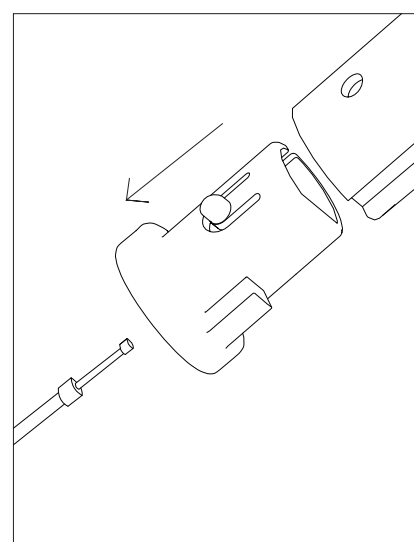
3. Unscrew the screws.



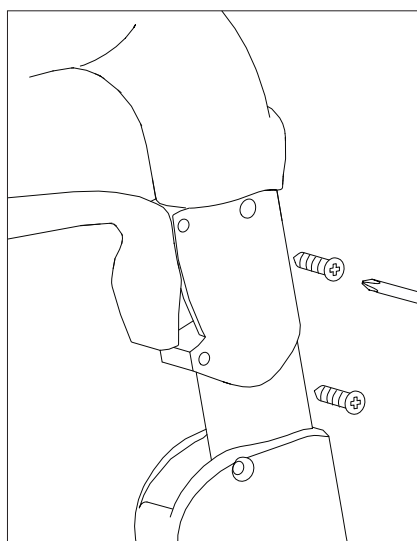
4. Disconnect the wire. See page 21.



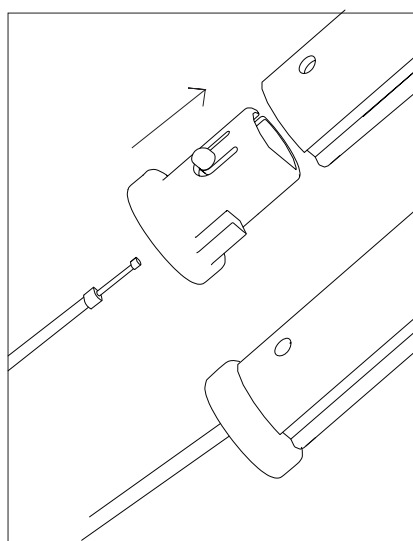
9. Move the plastic bushing from the old handle tube to the new one.



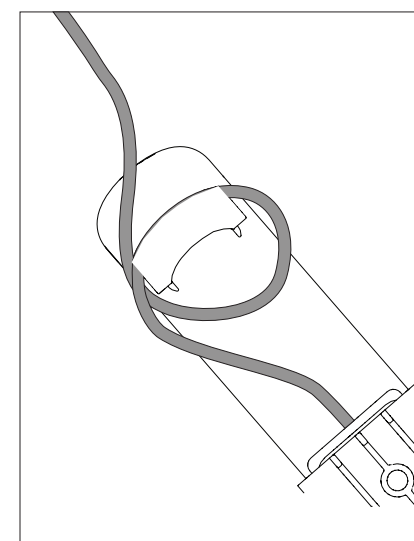
5. Remove the bottom plug and take out the wire. See page 23.



6. Unscrew the screw on the handle and pull out the brake mechanism.



8. Remove the wire from the old handle tube. Use the new handle and assembly.

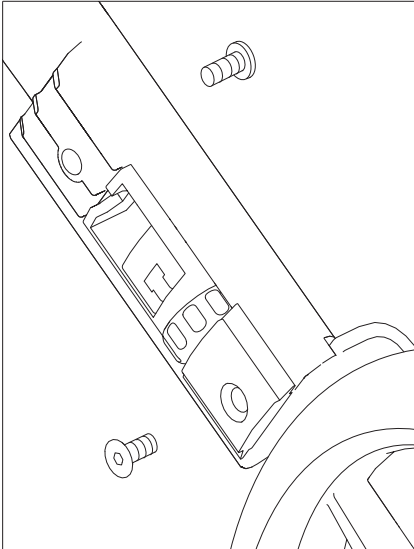


9. Put together the rearleg assembly, **Important!** See page 21

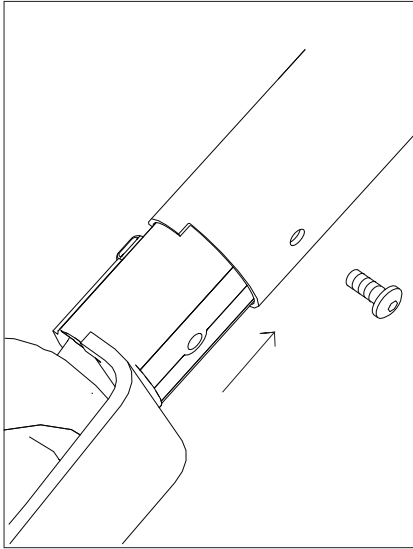
Page 2. Exchange of handle tube.

Let's Shop Spare part. Art. No. LS307, LS308.

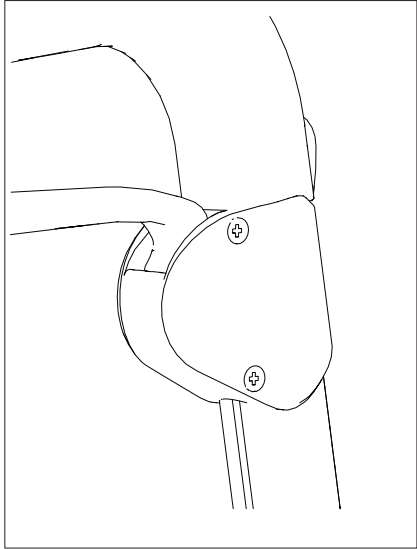
Let's Shop Service Manual. Revision version No: 2 – Nov 2019



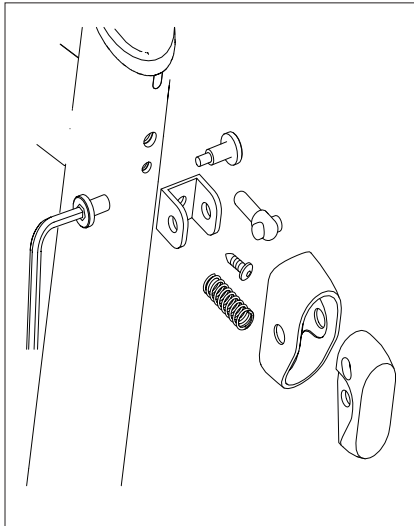
10. Screw together the rear wheel assembly.



11. Push the rearwheel assembly in position.



12. Mount the brake wire on the new brake housing and secure the screws.

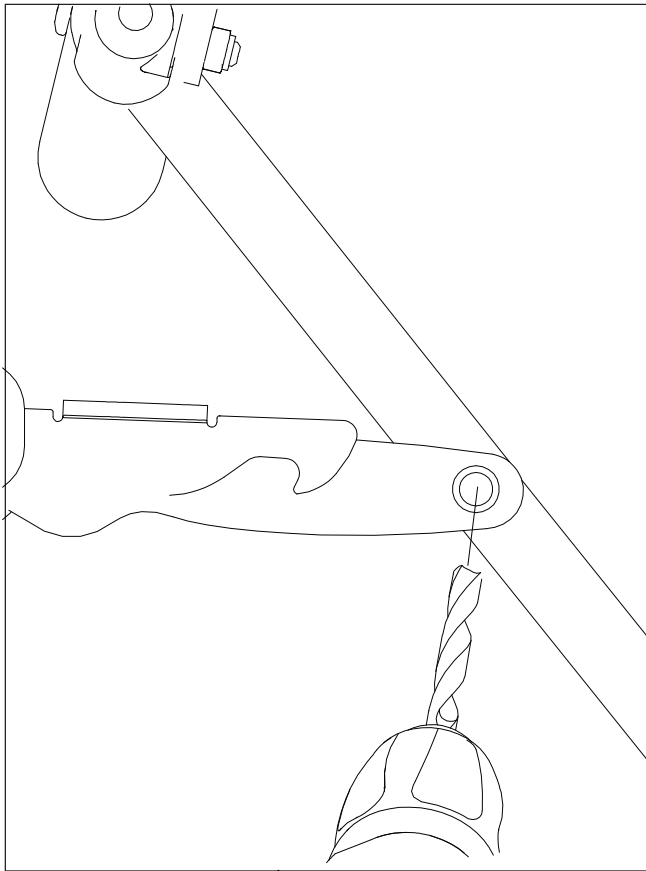


13. Screw the height adjustment mechanism back in place.

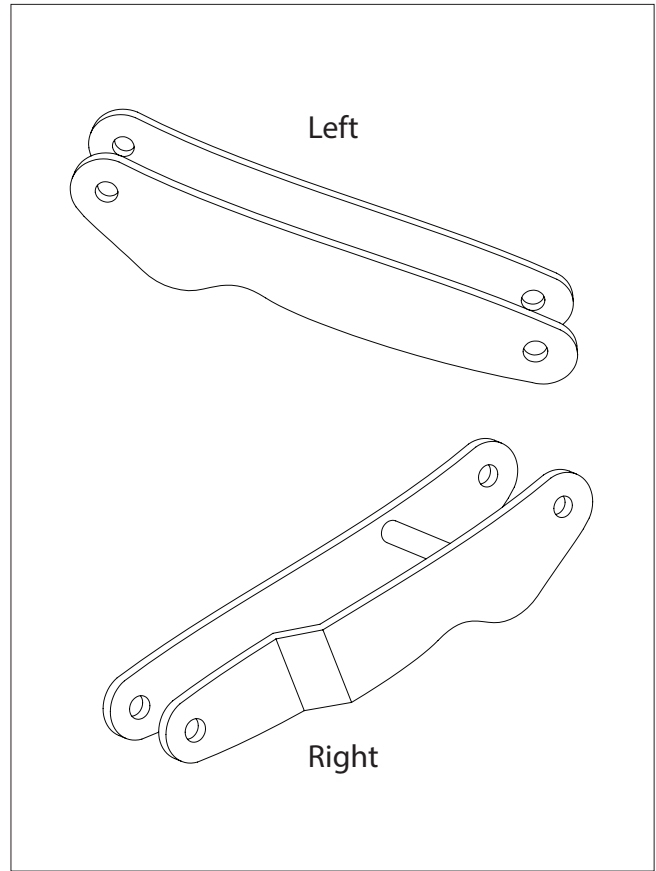
Mounting of linkage arm.

Let's Shop Spare part. Left Art. No. LS312. Right Art. No. LS321.

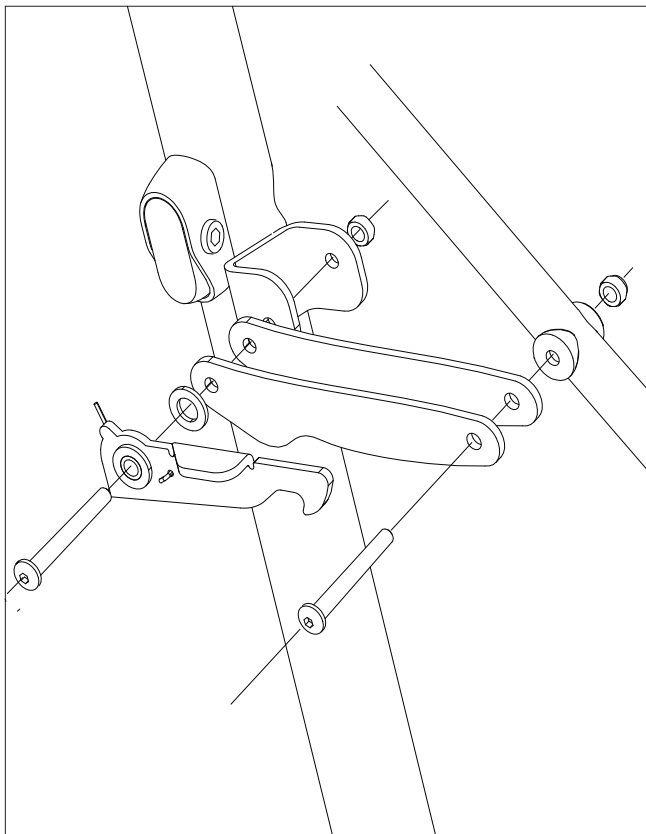
Let's Shop Service Manual. Revision version No: 2 – Nov 2019



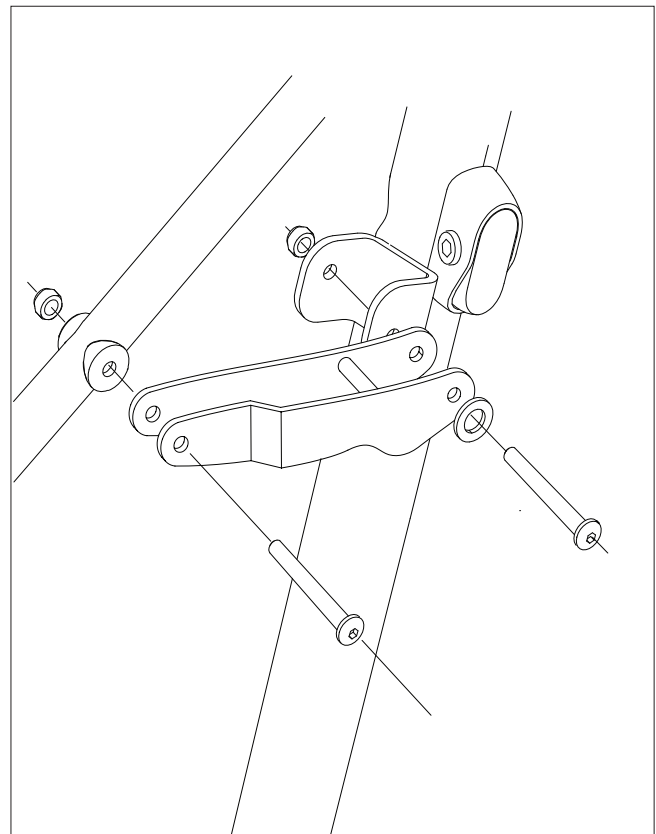
1. Drill out the rivets or unscrew the screws that hold the linkage arm to the metal frame of the rollator.



2. Above is Left and Right linkage arm.



3. Mount the new linkage arm. On the left side the hook for folding and the spring should also be mounted.

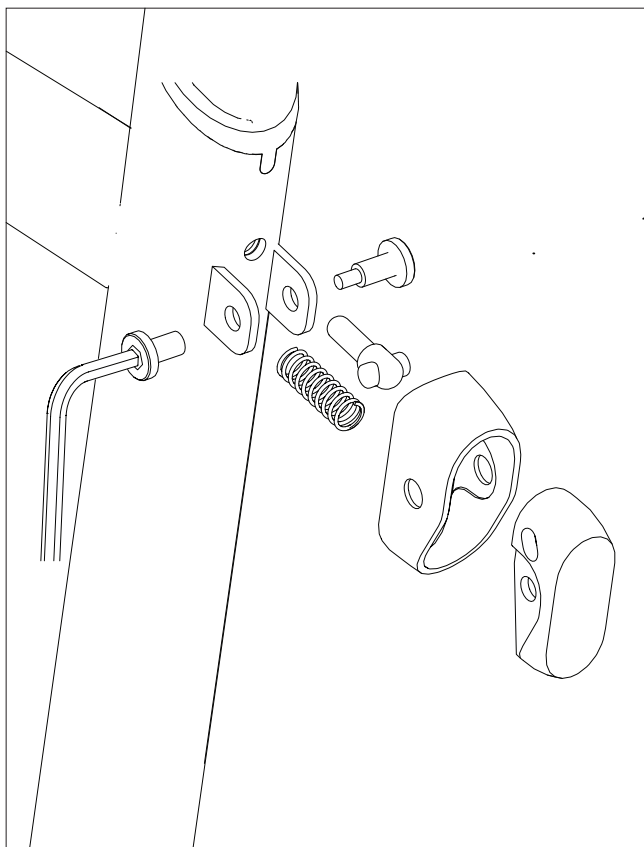


4. Mount the parts using screws, washers, and nuts.

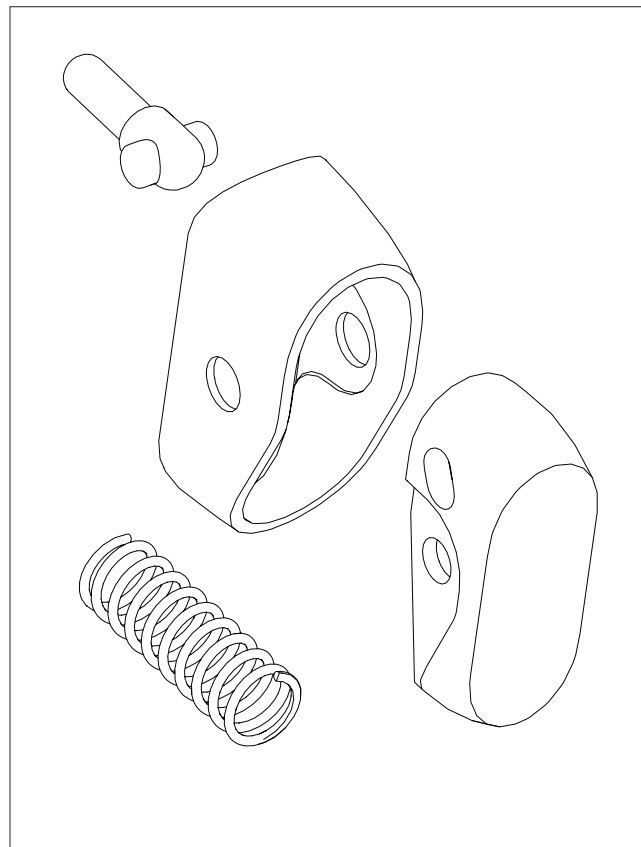
Exchange of height adjustment button.

Let's Shop Spare part. Art. No. LS319.

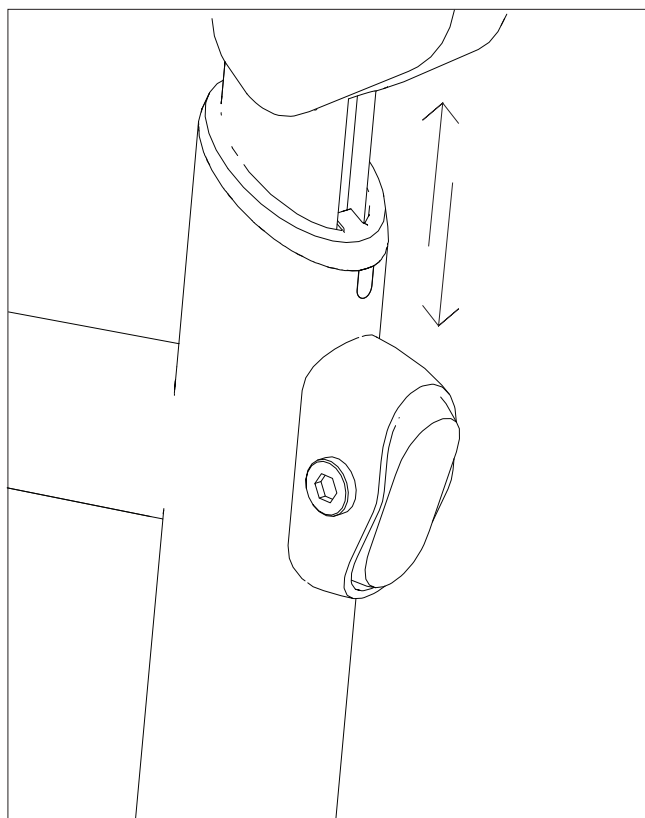
Let's Shop Service Manual. Revision version No: 2 – Nov 2019



1. Unscrew screw A and remove the damaged height adjustment.



2. The new height adjustment button consists of four parts.

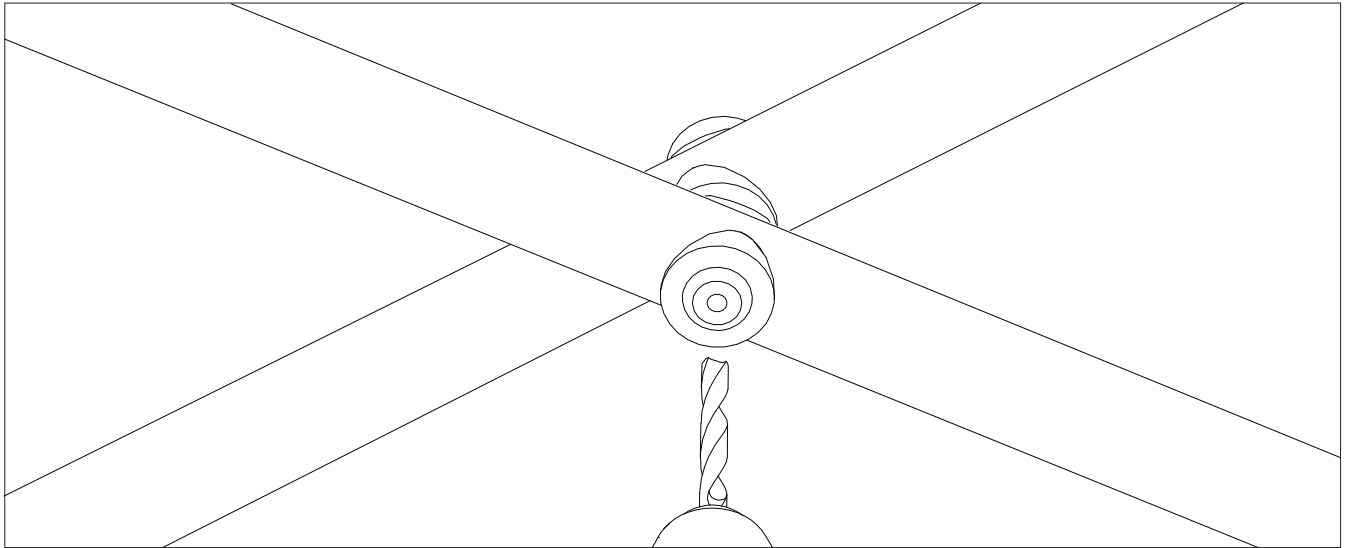


3. Check that the holes in the plastic bushing, the frame and the handle tube correspond.

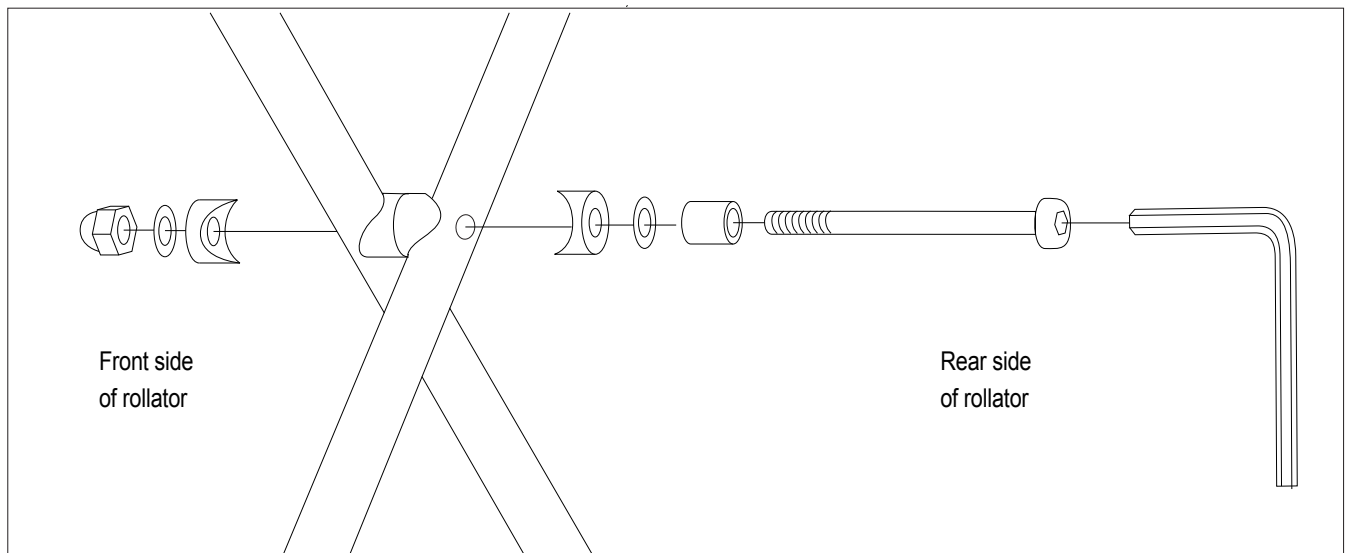
Mounting the middle joint of the folding cross.

Let's Shop Spare part Art. No. LS326.

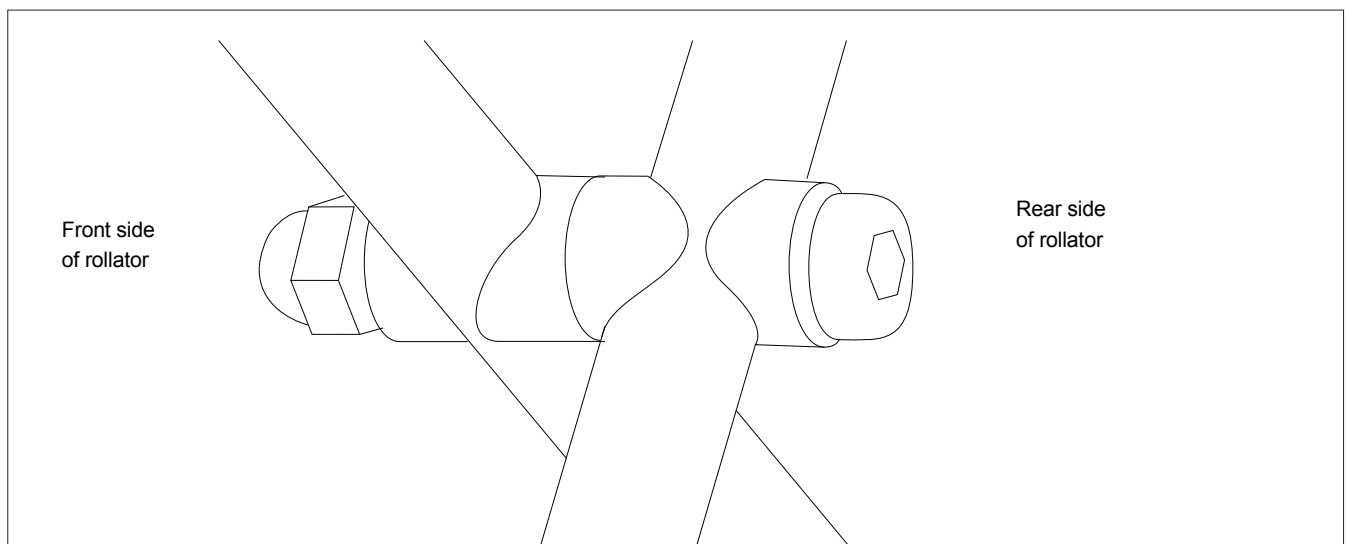
Let's Shop Service Manual.Revision version No: 2 – Nov 2019



1. Drill out the center rivet. The rivet is then exchanged with a screw and nut. See below.



2. The tubes of the folding cross should be placed between the washers in this order according to this sketch.

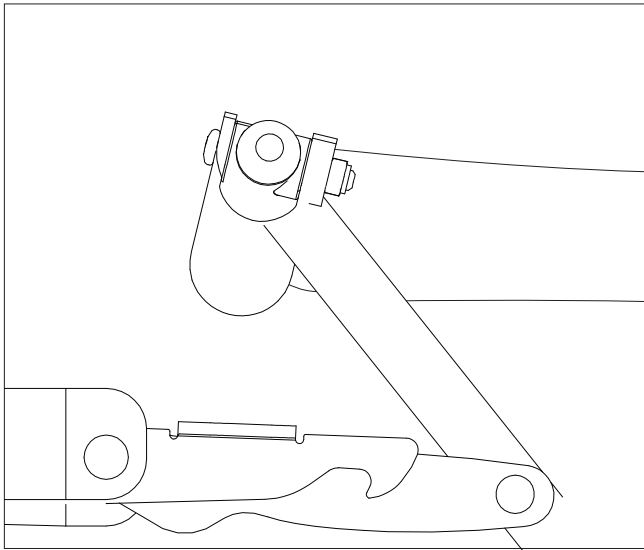


3. Tighten the dome nut securely. Fix the nut with a drop of Loctite so it will not fall off. The metal sleeve serves as a fixture peg for the hook when the rollator is folded.

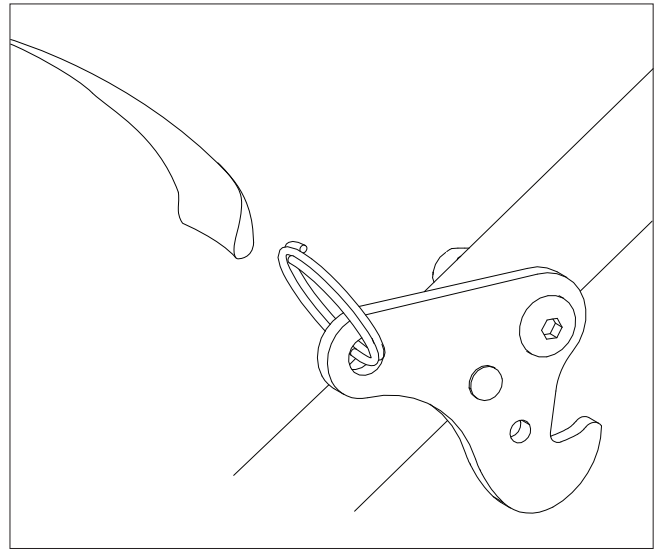
Exchange of the unfold hook.

Let's Shop Spare part. Art. No. LS311.

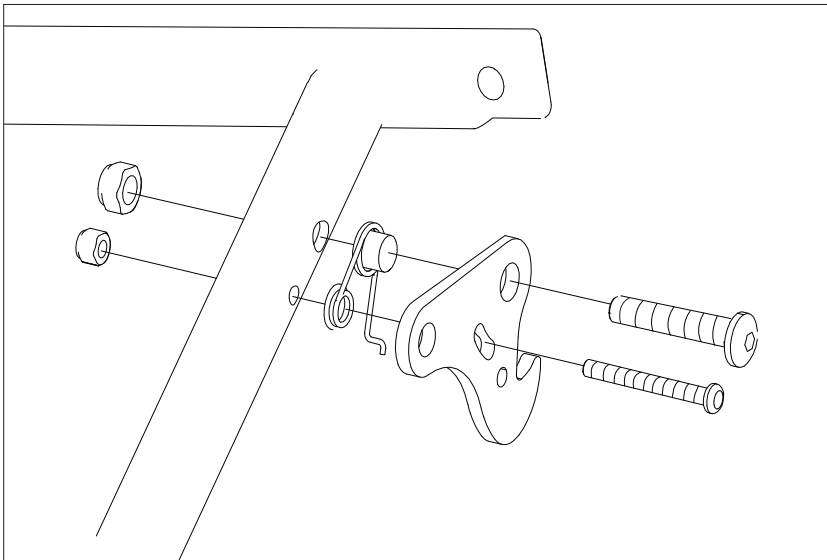
Let's Shop Service Manual. Revision version No: 2 – Nov 2019



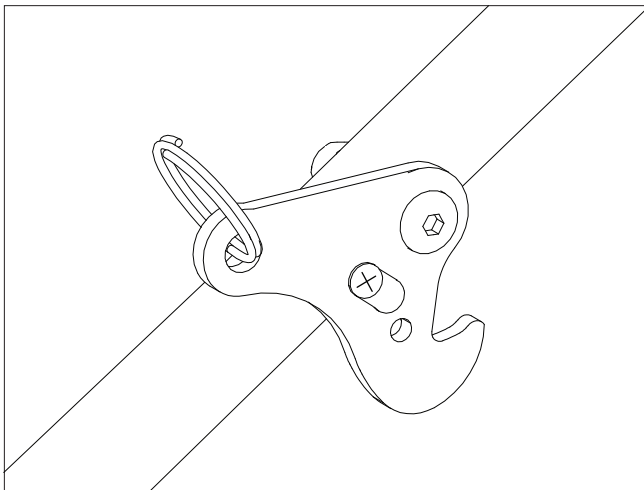
1. Partly fold the rollator so that the seat is loose and not stretched.



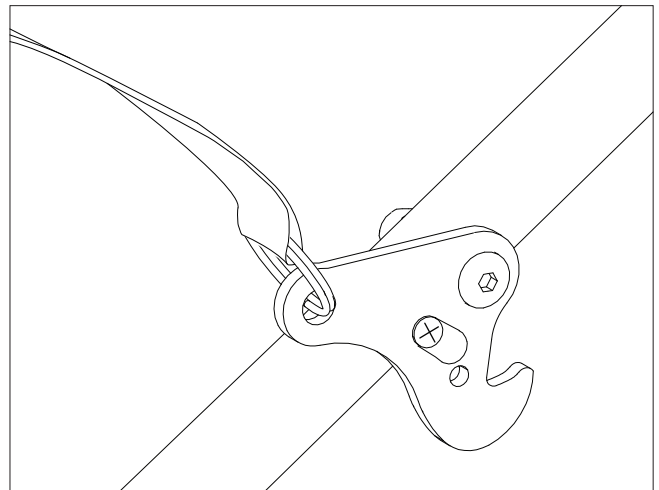
2. Remove the fabric band from the unfold hook.



4. Mount the new screws, the new hook and the spring. The spring must be placed around the two screws and locked into the hole in the hook.

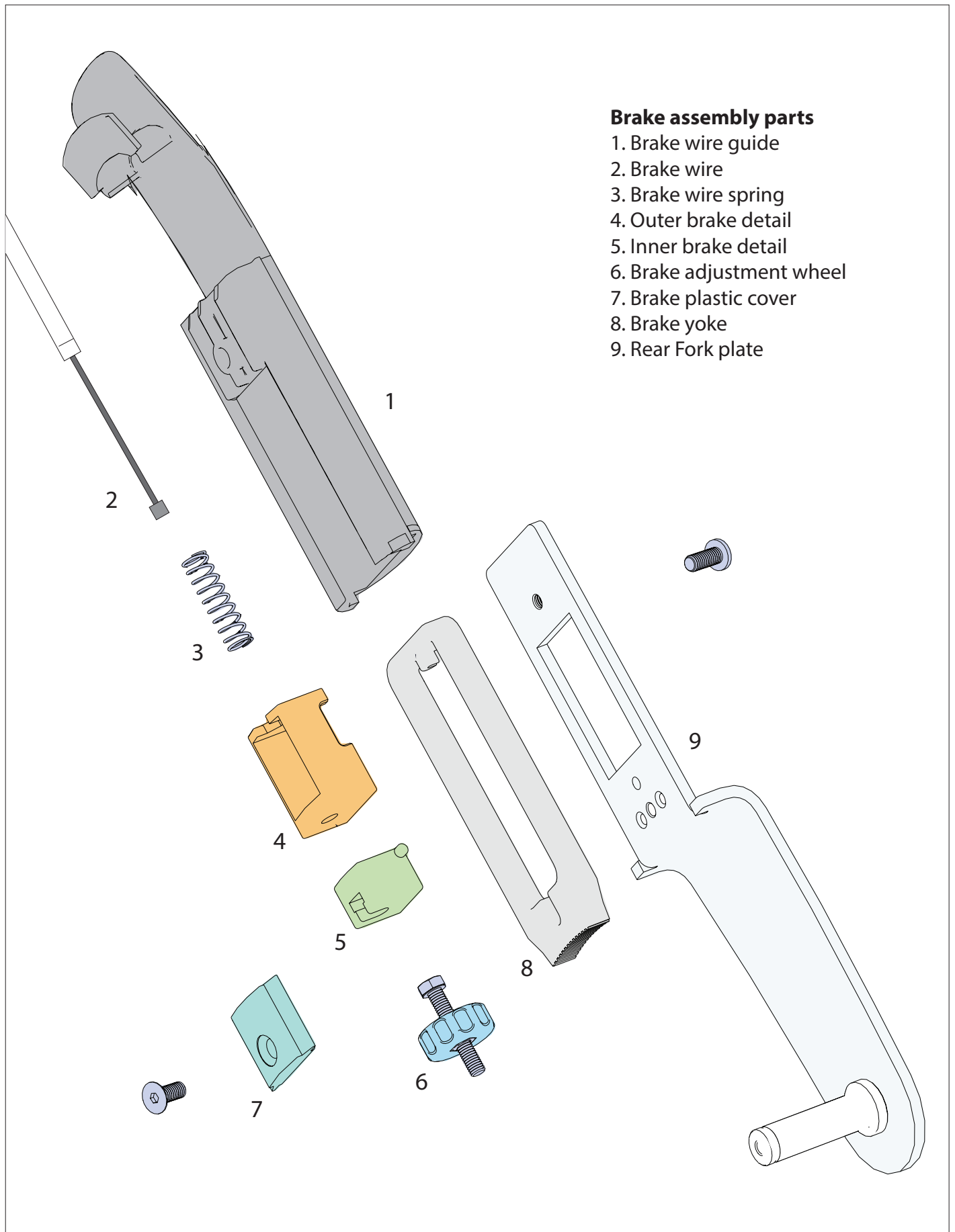


5. Adjust the screws so that the hook can easily rotate and still fits smoothly into the slot in the linkage arm.



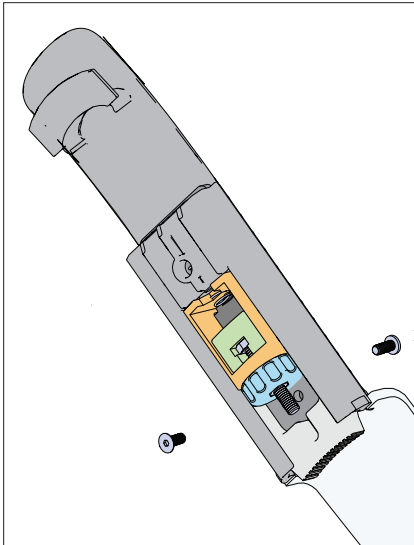
6. Put the fabric band into the slot in the unfold hook. Adjust the band so that the hook locks the rollator in open position and releases when you lift the seat in the middle opening.

Exploded view of brake assembly

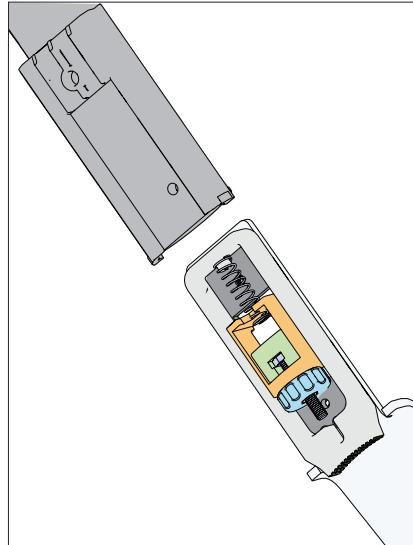


Disassembling the brake assembly

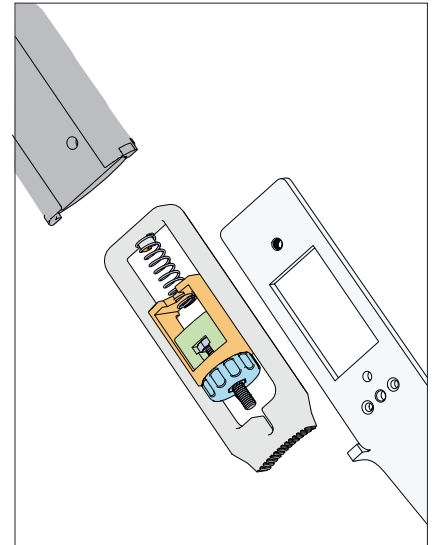
Let's Shop Service Manual. Revision version No: 1 – Nov 2019



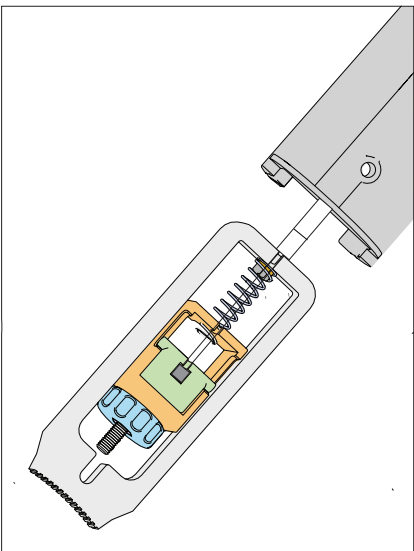
1. When the brake assembly is out start by removing all the screws.



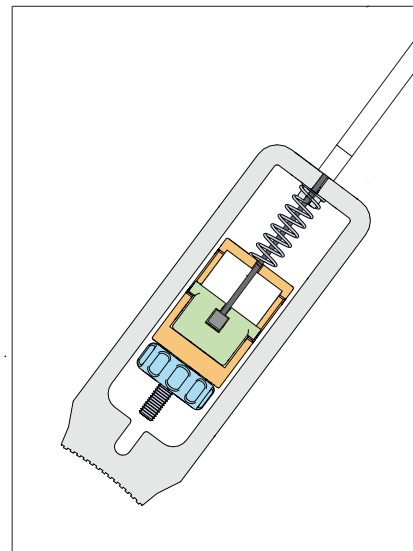
2. Pull out the brake parts from the brake wire guide.



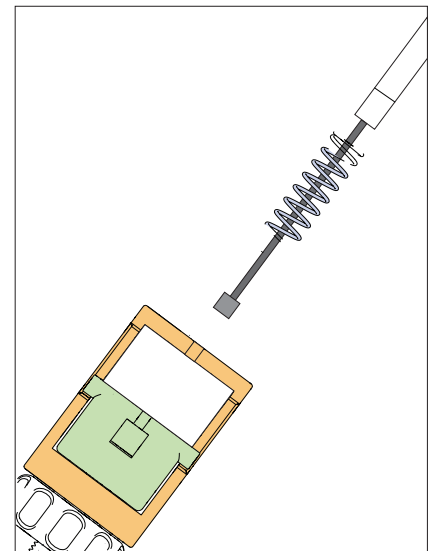
3. Separate the fork from the brake parts.



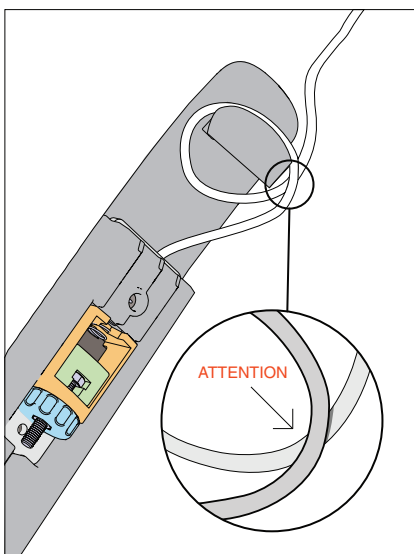
4. The brake wire runs through the brake wire guide.



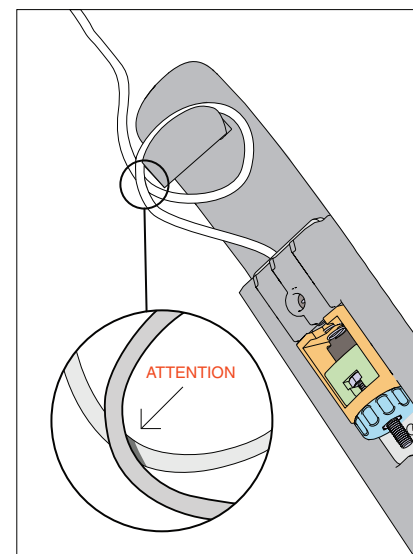
5. The brake wire is attached to the brake parts like above.



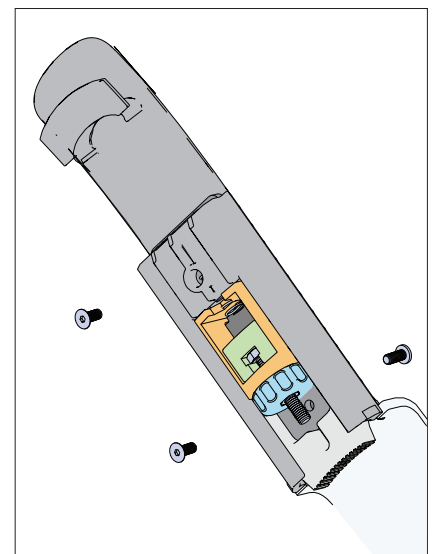
6. if changing wire, remove the old one and mount the new one correctly.



7. Left side, Wire first goes above (1) before going around the plastic part.

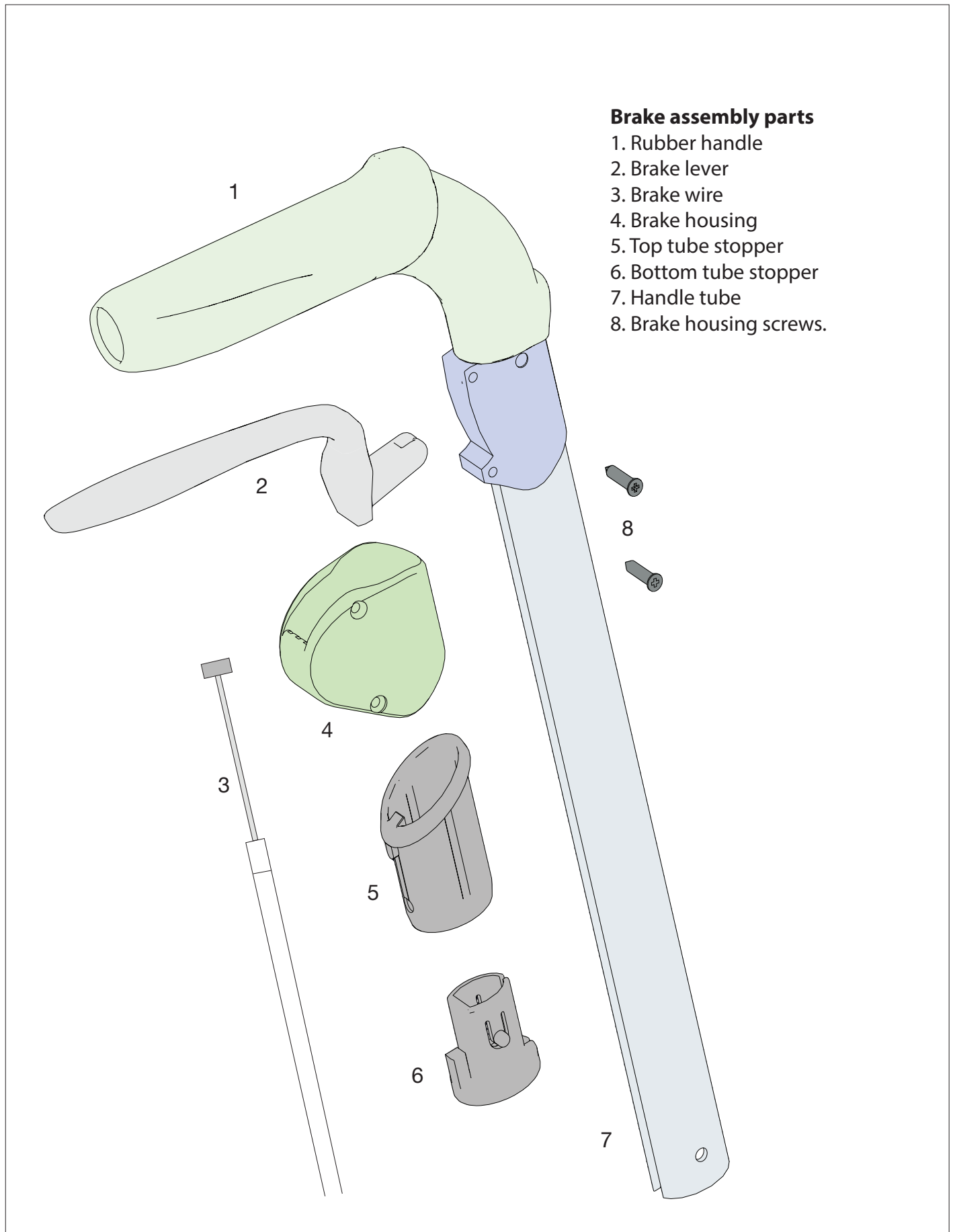


8. Right side, Wire first goes above (1) before going around the plastic part.



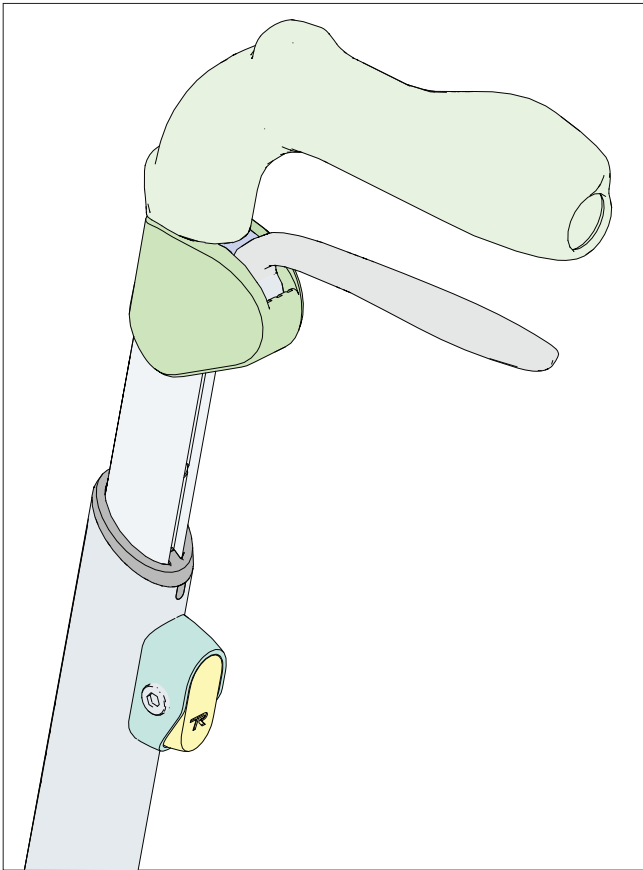
9. Screw together the brake assembly and insert it into the frame again.

Exploded view of Handle assembly

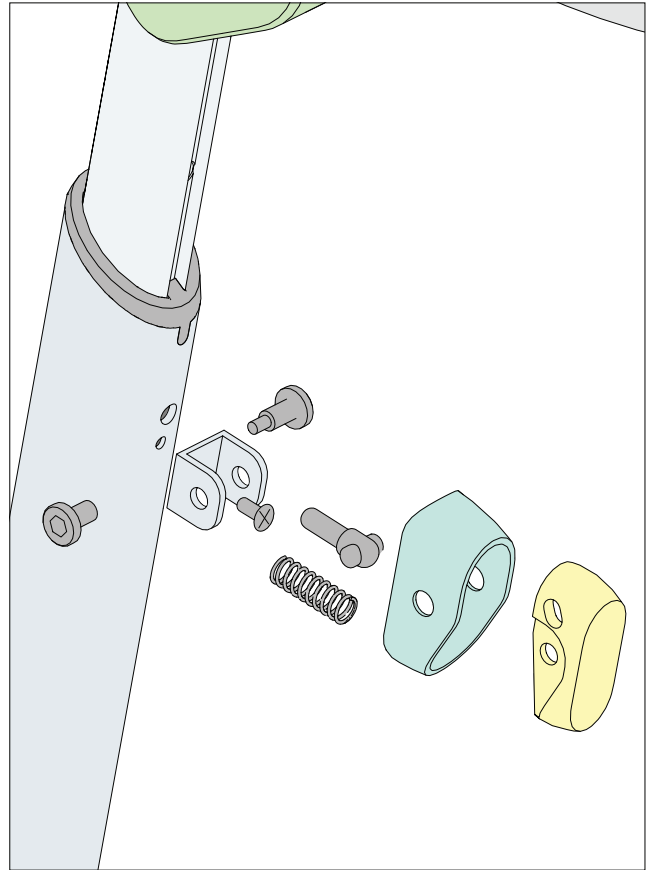


Brake assembly parts

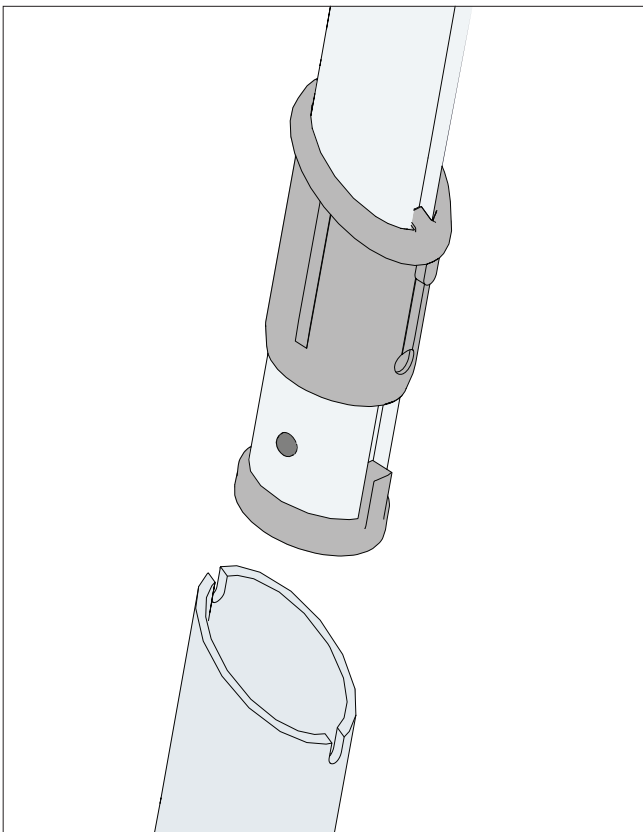
1. Rubber handle
2. Brake lever
3. Brake wire
4. Brake housing
5. Top tube stopper
6. Bottom tube stopper
7. Handle tube
8. Brake housing screws.



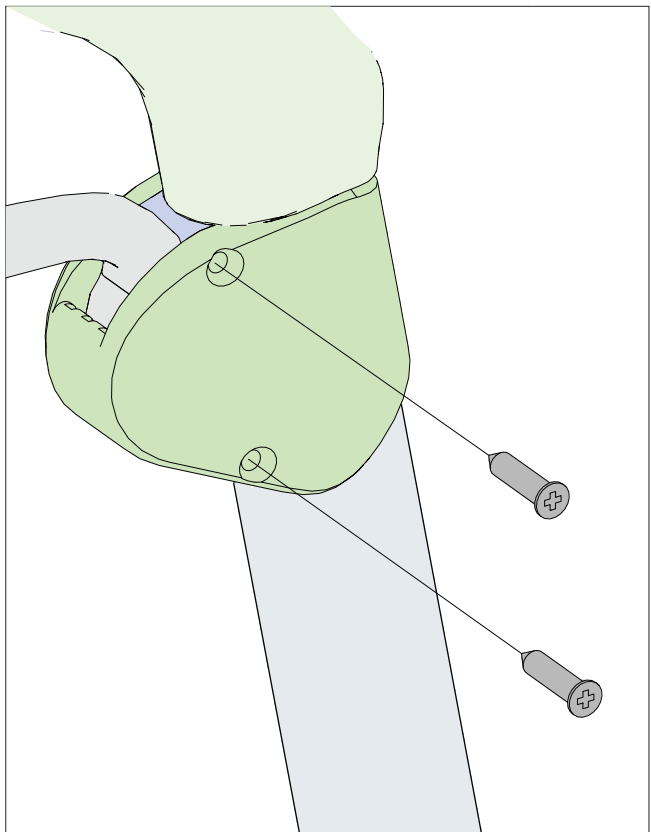
1. starting point



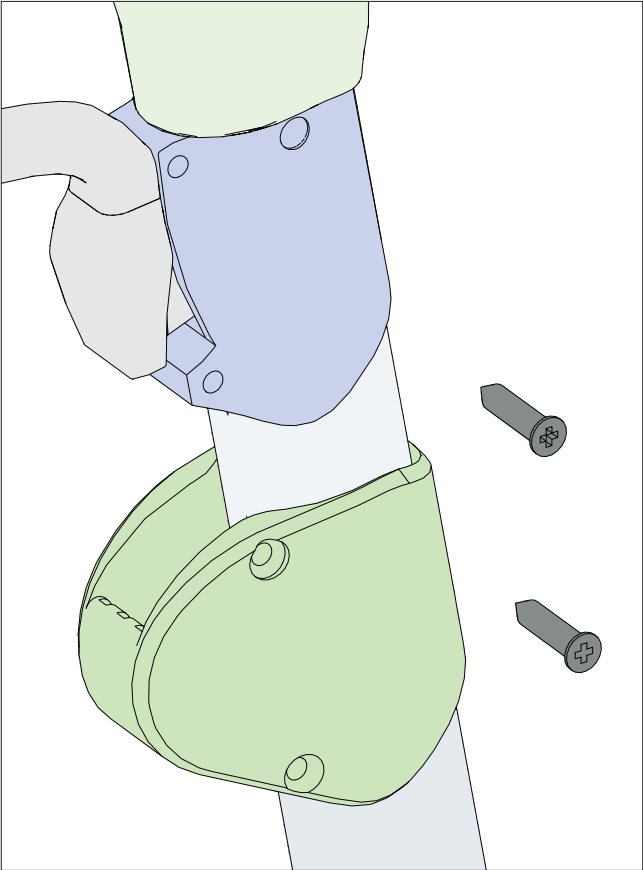
2. Disassemble the high adjustment button.



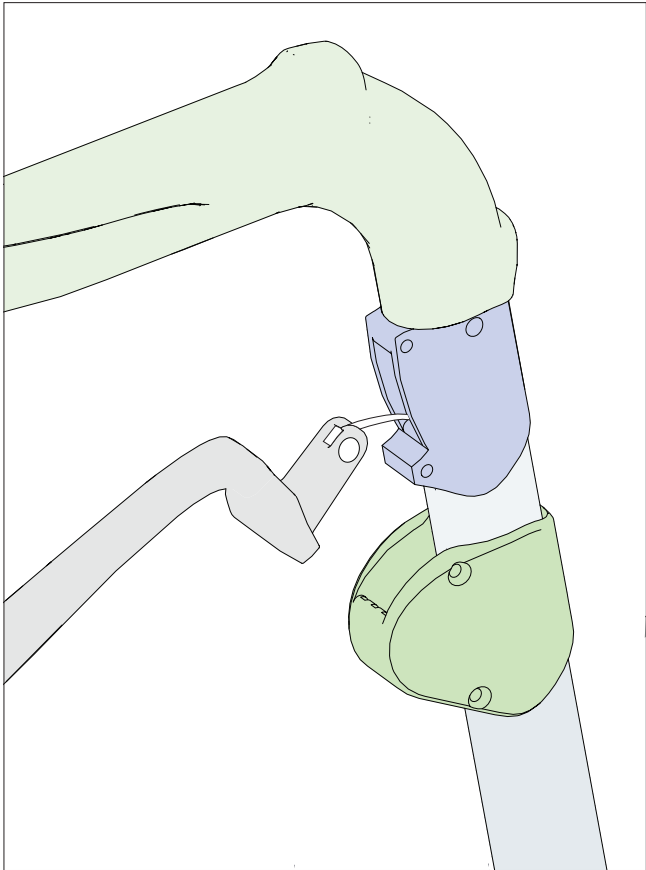
3. Pull out the entire handle tube from the frame.



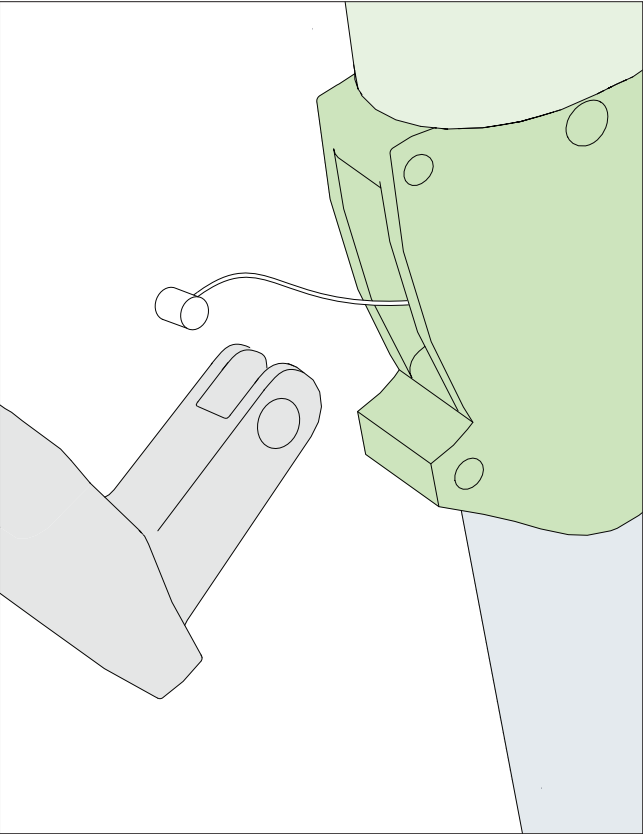
4. Unscrew the screws holding the brake housing.



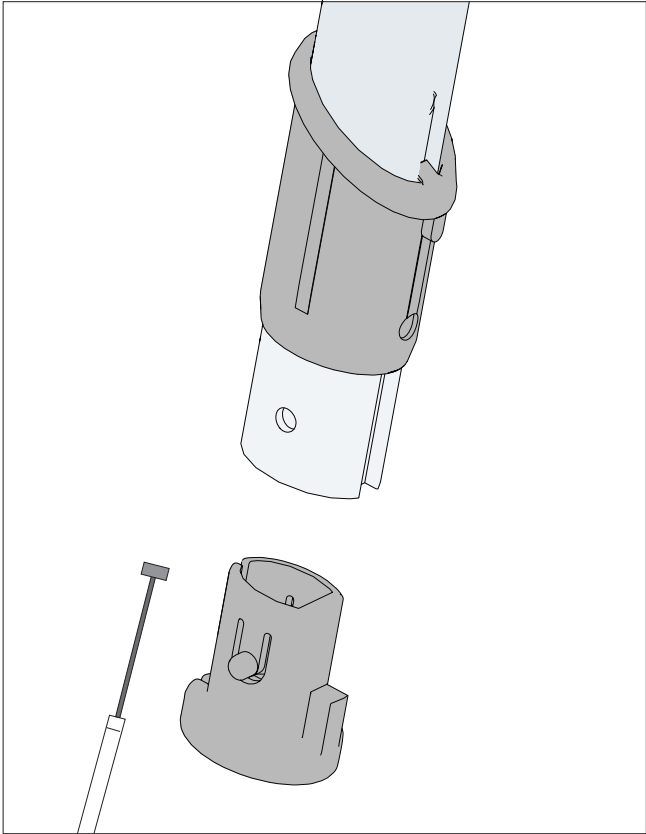
5. Lower the brake housing.



6. Pull out the brake handle.



7. disconnect the brake wire.



8. Take out the bottom tube stopper and the brake wire connected to it.