

BESTLIFT®

NEW!

PL400EF | FULL BODY PATIENT LIFT

The Bestlift® PL400EF represents a new standard in full body lifts for individuals who travel or are seeking storage efficiency in their home. PL400EF assembles (or folds) with 3 easy steps allowing for full operation or preparing for storage/transport.



PUSH HANDLES



- Portable and foldable for easy storage and transportation
- Light weight and easy to move
- **400lb** capacity
- Optional scale available
- Optional spare battery and wall charger available
- Easy to service and disassemble

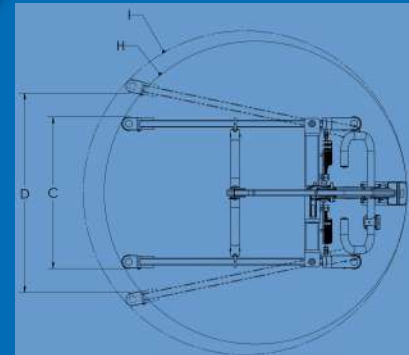
| PL400EF



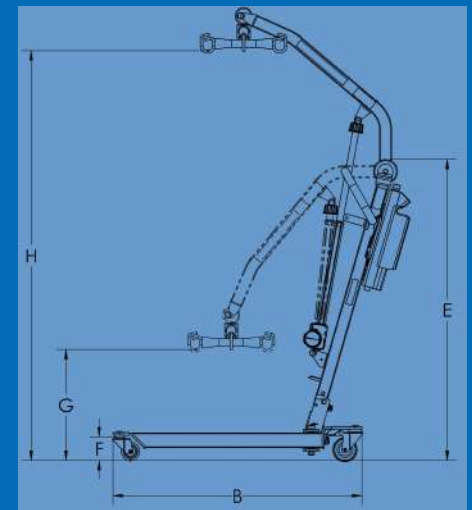
| DIMENSIONS

Dimensions & Specifications		
	Safe Working Load	400 lb (182 kg)
B	Base Length	41.0" (1,041mm)
C	Base External Width – Closed	25.6" (650mm)
D	Base Internal Width – Opened	32.0" (813mm)
E	Mast Height	48.3" (1,227mm)
F	Front Caster Height	4.7" (119mm)
G	Lifting Height – Lowest	18.5" (465mm)
H	Lifting Height – Highest	67.2" (1707mm)
I	Base Opened Turning Diameter	55" (1,384.9mm)
H	Base Closed Turning Diameter	51" (1,306.5mm)
	Unloaded Lift Weight	89.7 lb (40.8 kg)

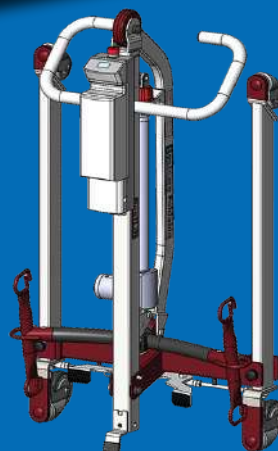
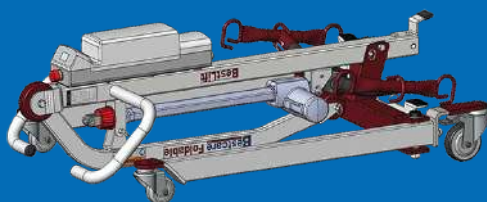
* SPECIFICATIONS PROVIDED ARE A GENERAL GUIDELINE AND ARE SUBJECT TO CHANGE WITHOUT NOTICE



TOP VIEW OF PL400EF



SIDE VIEW OF PL400EF



2920 PACIFIC DR., NORCROSS, GA 30071
 WWW.BESTCARELLC.COM
 678-679-6690