

Bed Rails



Yes, you can.

Parts Catalog Usage Guide

The information contained in this document is subject to change without notice. This catalog contains service parts for Form No. 92-048. If you have any questions regarding this catalog, please contact one of our Customer Service Representatives.

For Customer Service Support Call:

1-800-333-6900

For Faxed In Orders Call:

1-800-678-4682 or

1-440-366-0709

For Technical Service Call:

1-800-832-4707

Literature Can Be Found at:

www.invacare.com or

1-800-828-6272

SYMBOL DEFINITION

Throughout this catalog you will notice letters to draw your attention to specific footnotes which are located at the bottom of the page or below specified charts.

Examples:

A,B,C etc. = Special Comments

NOTE: = General information pertaining to that specific page

NLA = No Longer Available

HARDWARE MEASUREMENTS

The measurements for the hardware will be listed as follows:

Screws, Bolts Diameter X Thread Count/Pitch X Length

Washers Inside Diameter X Outside Diameter X Thickness

Spacers Inside Diameter X Outside Diameter X Length

For your convenience, we have supplied an area for you to list your Invacare Representatives.

Name	Phone Numbers

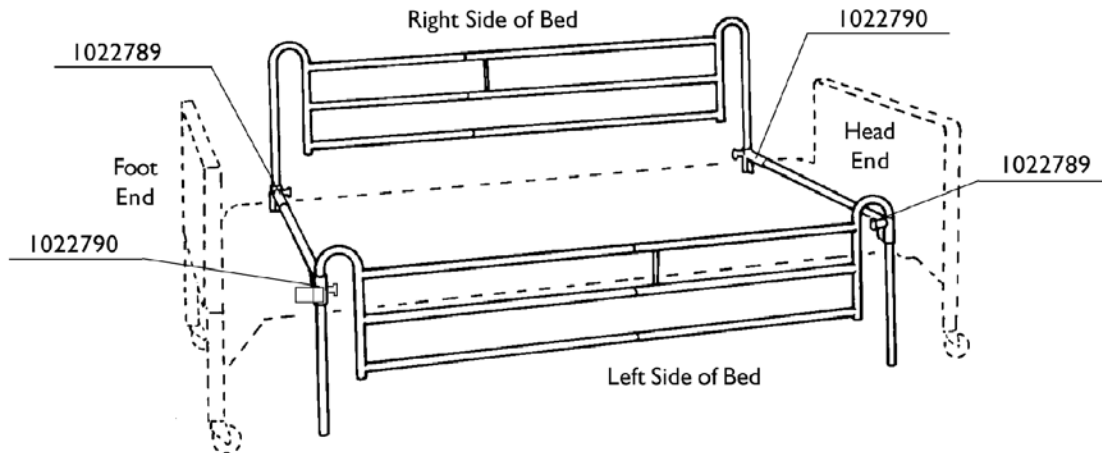
© 2019 Invacare Corporation, Elyria, Ohio. Invacare, the Medallion Design and Yes, you can. are registered trademarks and CareGuard is a Trademark of the Invacare Corporation.

TABLE of CONTENTS

Description	Page Number
Bariatric Bed Rails - BAR6640IVC	30
Bed Rail Explanation Chart	4
Crossbrace Assembly - 6626Y2	11
Deluxe Quick Clip-On Bed Rail - 6658	33
Deluxe Spring Loaded Bed Rails - 6628 & 6628-TSS	17
Deluxe Telescoping Bed Rail & Crossbrace Assembly - 6625/6625L	12
Economy Bed Rail - 6640	29
Economy Telescoping Bed Rail - 6650	31
Half Length Assist Rail - 6632	27
Half Length Bed Rails - 6630	21
Half Length Bed Rails, Clamp-On - 6630DS	23
Packaging - Literature & Decals	6
Parts Catalog Usage Guide	3
Standard Quick Clip-On Bed Rails - 6627	15
Standard Spring Loaded Bed Rails - 6629	19
Standard Telescope Bed Rails - 6623	9
Telescoping Home Bed Rail - 6631	25

Parts Catalog Usage Guide

See illustration to determine right side from left side when choosing parts for rails or crossbrace assemblies.



NOTE: To determine which crossbrace assembly, channel with barrel, or barrel only, to order, we have listed them as (1022789) Left Head End / Right Foot End or (1022790) Right Head End / Left Foot End. When the barrels are used on the opposite side of the bed, the parts are reversed.

Bed Rail Explanation Chart

Standard Telescoping

Model Number	Tubing Size	Assembly or Channel Style	Length	Bed Type
6623 NLA (Discontinued 1/03)	7/8"	Clamp with Wing Nut	47-74"	Homecare Extended Care
6627 NLA (Discontinued 2/96)	7/8"	Quick Clip-On	47-74"	Homecare Extended Care
6629	7/8"	Self-Adjusting Spring-Loaded	55"	Homecare Extended Care

Deluxe Telescoping

Model Number	Tubing Size	Assembly or Channel Style	Length	Bed Type
6625 NLA (Discontinued 2/03)	1"	Clamp with Wing Nut	47-74"	Homecare Extended Care
6628	1"	Self-Adjusting Spring-Loaded	56"	Homecare Extended Care
6628TSS	1"	Self-Adjusting Spring-Loaded	56"	Homecare Extended Care with TSS Mattress
6631	7/8"	Round Tube Fits Between Mattress and Box Spring	37.5-56.5"	Conventional Home Single and Double Beds (36"-69" Wide)
6658 NLA (Discontinued 10/95)	1"	Quick Clip-On	47-74"	Homecare Extended Care

Half Rail

Model Number	Tubing Size	Assembly or Channel Style	Length	Bed Type
6630	1"	Dual Flat Channel with Wing Nut Clamp Assembly	32"	Homecare Extended Care 2 sets per bed Recommended

Bed Rail Explanation Chart

Economy Half Rail

Model Number	Tubing Size	Assembly or Channel Style	Length	Bed Type
6640	1"	Single Flat Crossbrace with Bolt-on Clamp Assembly	28.75"	Homecare Extended Care 2 sets per bed Recommended or Bariatric

Crossbraces Only

Model Number	Tubing Size	Assembly or Channel Style	Length	Bed Type
6625L NLA (Discontinued 9/94)	1"	Clamp with Wing Nut	47-74"	Homecare Extended Care
6626Y2 NLA (Discontinued 10/00)	1"	Round Tube Fits	39-69"	Conventional Home Single and Dbl Beds 36 -69" Wide

Economy Telescoping

Model Number	Tubing Size	Assembly or Channel Style	Length	Bed Type
6650	7/8"	Self-Adjusting Spring-Loaded	55"	Homecare/ Extended Care

Packaging, Literature & Decals

Standard Telescoping

Model Number	Carton	Insert	Literature
6623 NLA	40131X030-NLA	1007909 See Note(s) B	1013307-NLA
		1016042-NLA See Note(s) A	
6627 NLA	40131X030-NLA	1007909 See Note(s) B	1023492-NLA
		1016042-NLA See Note(s) A	
6629	40131X030-NLA	1007909 See Note(s) B	1049390-NLA
		1016042 See Note(s) A	

NOTE: A - Quantity - 1 each.
B - Quantity - 2 each

Note: When adjusting or replacing parts, please refer to your Owner's Manual for assistance.

Deluxe Telescoping

Model Number	Carton	Insert	Literature
6625 NLA	40131X030-NLA	1007909 See Note(s) B	1016404-NLA
		1016042-NLA See Note(s) A	
6628	40131X030-NLA See Note(s) E	1007909 See Note(s) B	00077X079-NLA
		1016042-NLA See Note(s) A	
6628-TSS	40131X030-NLA See Note(s) E	1007909 See Note(s) B	00077X079-NLA
		1016042-NLA See Note(s) A	
6631	40131X030-NLA See Note(s) C	1007909 See Note(s) B	1023603-NLA
		1016042-NLA See Note(s) A	
6658 NLA	40131X030-NLA	1007909 See Note(s) B	1022905-NLA
		1016042-NLA See Note(s) A	

NOTE: A - Quantity - 1 each.
B - Quantity - 2 each
C - Before 10/17/03.
E - Before 1/31/04.

Note: When adjusting or replacing parts, please refer to your Owner's Manual for assistance.

Packaging, Literature & Decals

Half Rail

Model Number	Carton	Insert	Literature
6630	40131X102-NLA	1007969-NLA See Note(s) A	1016386-NLA

NOTE: A - Quantity - 1 each.

Note: When adjusting or replacing parts, please refer to your Owner's Manual for assistance.

Economy Half Rail

CareGuard by Invacare

Model Number	Carton	Insert	Literature
6640 See Note(s) A	N/A	N/A	1082514-NLA
6640	N/A	N/A	1125060-NLA

NOTE: A - Instruction Sheet no longer available, refer to part #1125060 for replacement.

Note: When adjusting or replacing parts, please refer to your Owner's Manual for assistance.

Crossbraces Only

Model Number	Carton	Insert	Literature
6625L NLA	40131X030-NLA	1007909 See Note(s) B	1016404-NLA
		1016042-NLA See Note(s) A	
6626Y2 NLA	40131X159	1016042-NLA See Note(s) A	N/A

NOTE: A - Quantity - 1 each.

B - Quantity - 2 each

Note: When adjusting or replacing parts, please refer to your Owner's Manual for assistance.

Packaging, Literature & Decals

Economy Telescoping

CareGuard by Invacare

Model Number	Carton	Insert	Literature
6650	N/A See Note(s) A	N/A See Note(s) A	1080892-NLA See Note(s) A
		1007909 See Note(s) B	00077X079-NLA See Note(s) B
		1016042-NLA See Note(s) B	

NOTE: A - Before 12/15/03.
B - After 12/14/03.

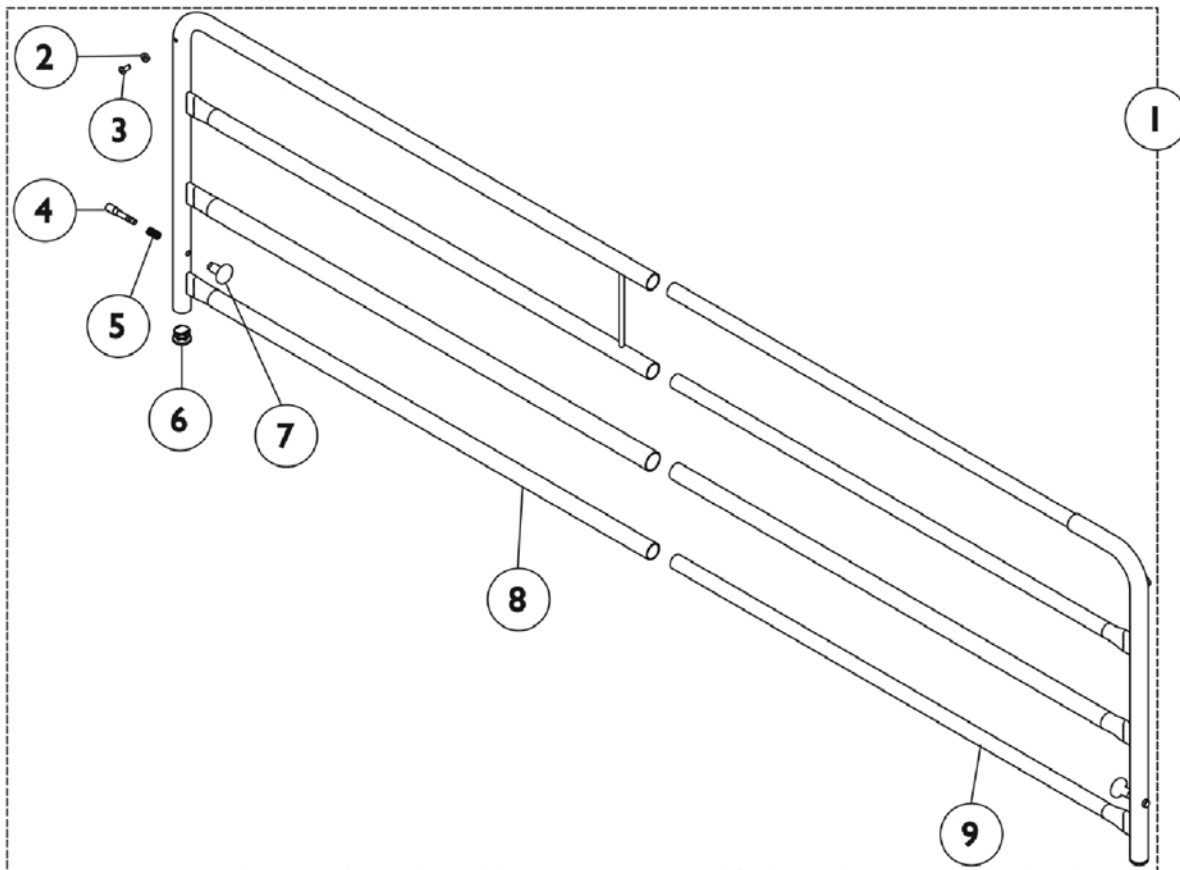
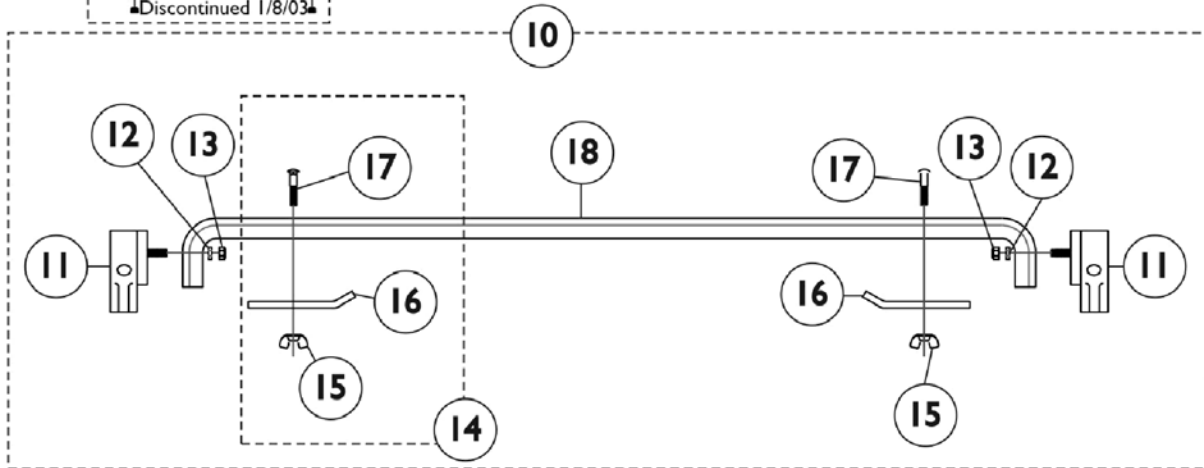
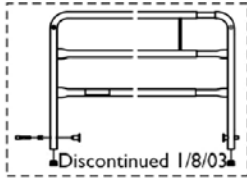
Note: When adjusting or replacing parts, please refer to your Owner's Manual for assistance.

Decals

Part Number	Description
1130183	Label, Entrapment Warning

Standard Telescope Bed Rails 6623

This Model was discontinued 1/8/03



Standard Telescope Bed Rails 6623

This Model was discontinued 1/8/03

Item Number	Note	Part Number	Description	Quantity Per	
				Package	Assembly
1	A	1135777-NLA	NLA - Kit, Telescoping Bed Rail	1	2
2			NLA - Washer, Nylon (3/16 x 7/16 x 1/8")	1	2
3			Rivet (3/16 x 7/16")	1	2
4			NLA - Pin, Plunger	1	2
5			Spring, Plunger (23/64 x 5/8")	1	2
6			Plug Button, Grey (7/8")	1	2
7			Knob, Plunger, Grey	1	2
8			NLA - Rail, Telescoping - Outside	1	1
9			NLA - Rail, Telescoping - Inside	1	1
			Label, Entrapment Warning	1	1
10	B	1021834-NLA	NLA - Kit, Crossbrace Assembly	1	2
11			Barrel, Right	1	1
11			Barrel, Left	1	1
12			Washer, Flat (5/16 x 11/16 x 1/16")	1	2
13			Locknut (5/16-18)	1	2
15			Nut, Wing (1/4-20)	1	2
16			NLA - Clamp Bar	1	2
17			Bolt, Carriage (1/4-20 x 1-1/4")	1	2
18			Channel Only, Granite	1	1
14	C	1028789-NLA	NLA - Kit, Frame Bar (Pair)	1	1
15			Bolt, Carriage (1/4-20 x 1-1/4")	1	2
16			NLA - Clamp Bar	1	2
17			Nut, Wing (1/4-20)	1	2
	D,E	1012658-NLA	NLA - Spacer, Tube	1	2

NOTE: A - Includes: Items 2-9 and the Warning Label
 B - Includes: Items 11-18
 C - Includes: Items 15-17
 D - Before 8/11/97 only.
 E - Not Shown

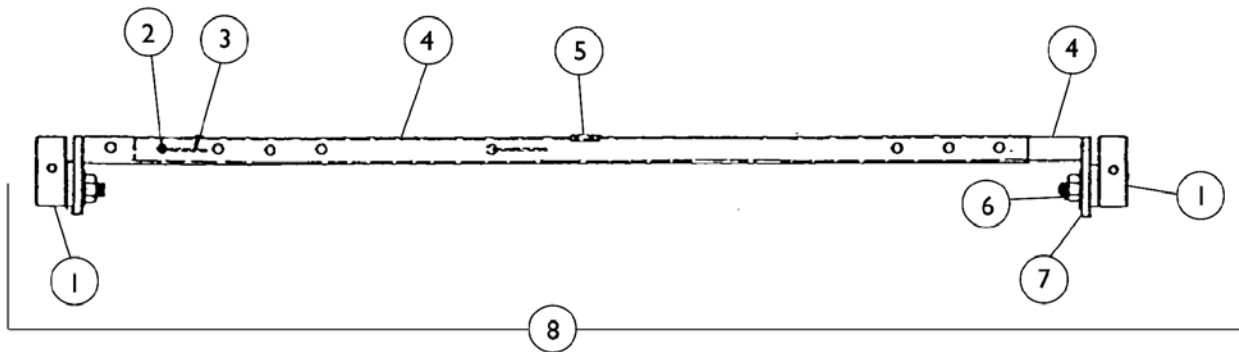
2/1/04 the rails will have 4 rungs instead of 3 so an inner and an outer Rail needs to be ordered when replacing.

Crossbrace Assembly 6626Y2

This model was discontinued 10/4/00

Model 6626Y2 (Discontinued)
(36" - 69" Wide)

Model 6626Y2 Crossbrace can be used to convert models 6625, 6628, or 6658 to a Home Bed Rail.



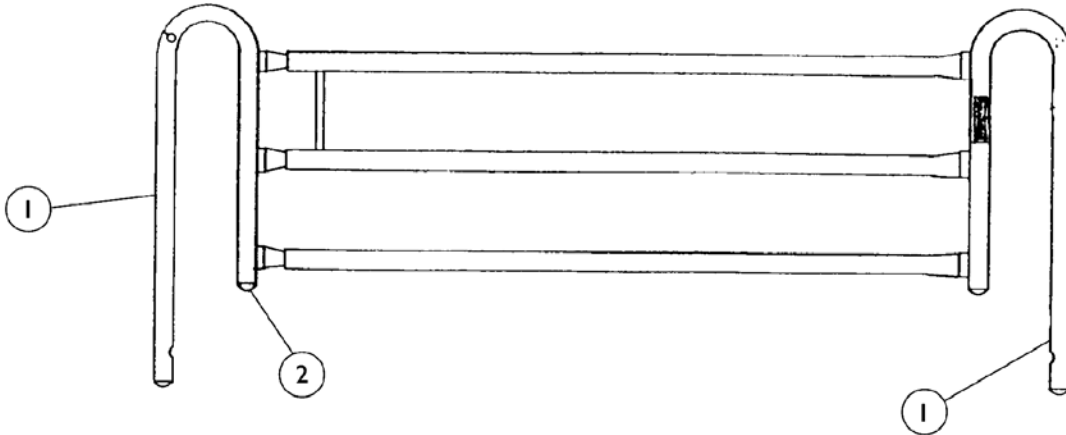
Item Number	Note	Part Number	Description	Quantity Per	
				Package	Assembly
1		16356X000	Barrel Assembly, Right Head End / Left Foot End (Includes: Plunger Knob and Pin)	1	2
1		16326X000	Barrel Assembly, Left Head End / Right Foot End (Includes: Plunger Knob and Pin)	1	2
2		48806X011-NLA	NLA - Button, Snap	1	4
3		40188X005-NLA	NLA - Spring, Torsion	1	4
4	A	06626X003-NLA	NLA - Tube, Channel, Chrome - Outside	1	2
4	A	06626X004-NLA	NLA - Tube, Channel, Chrome - Inside	1	2
5		1011239-NLA	NLA - Label, Caution	1	2
6		60290X002	Locknut (5/16-18)	1	4
7		16308X000	Washer, Flat (5/16 x 11/16 x 1/16")	1	4
8	B	06626X002-NLA	NLA - Crossbrace Assembly	1	2

NOTE: A - Channel Tube is No Longer Available. Order Item number 8.
B - Includes Items 1-7.

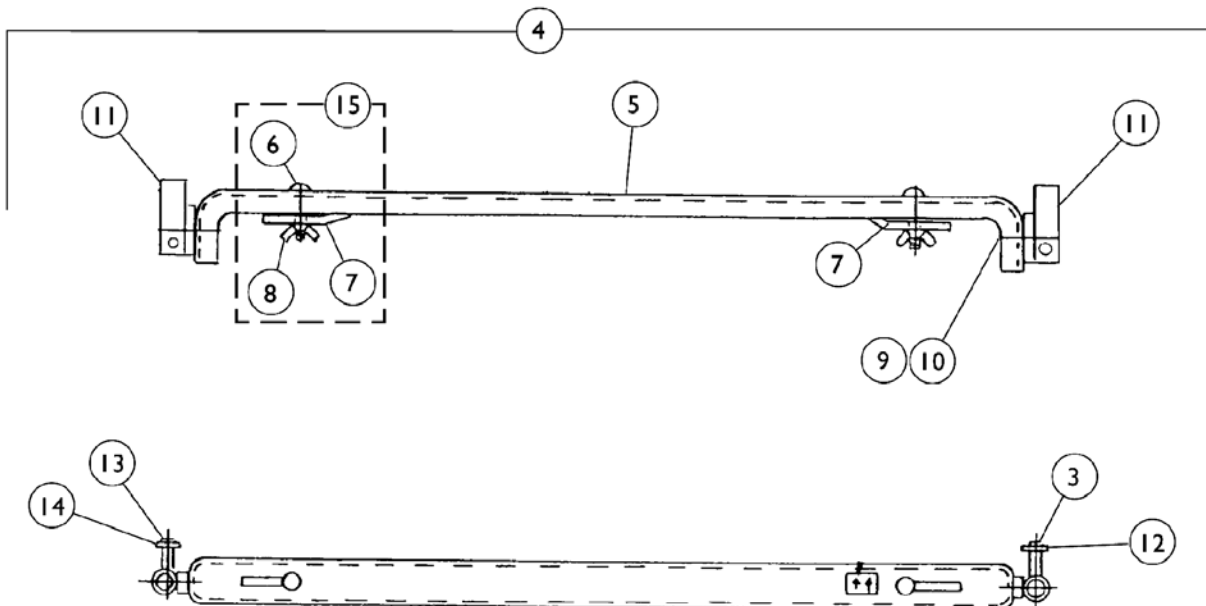
Deluxe Telescoping Bed Rail and Crossbrace Assembly 6625/6625L

6625 was discontinued 2/4/03.
6625L was discontinued 9/21/94.

Model 6625



Model 6625L (Discontinued) (Fits Wider Twin Beds-Deck Width 33-1/4" - 36-1/2")



Deluxe Telescoping Bed Rail and Crossbrace Assembly 6625/6625L

**6625 was discontinued 2/4/03.
6625L was discontinued 9/21/94.**

Deluxe Telescoping Bed Rail and Crossbrace Assembly 6625/6625L

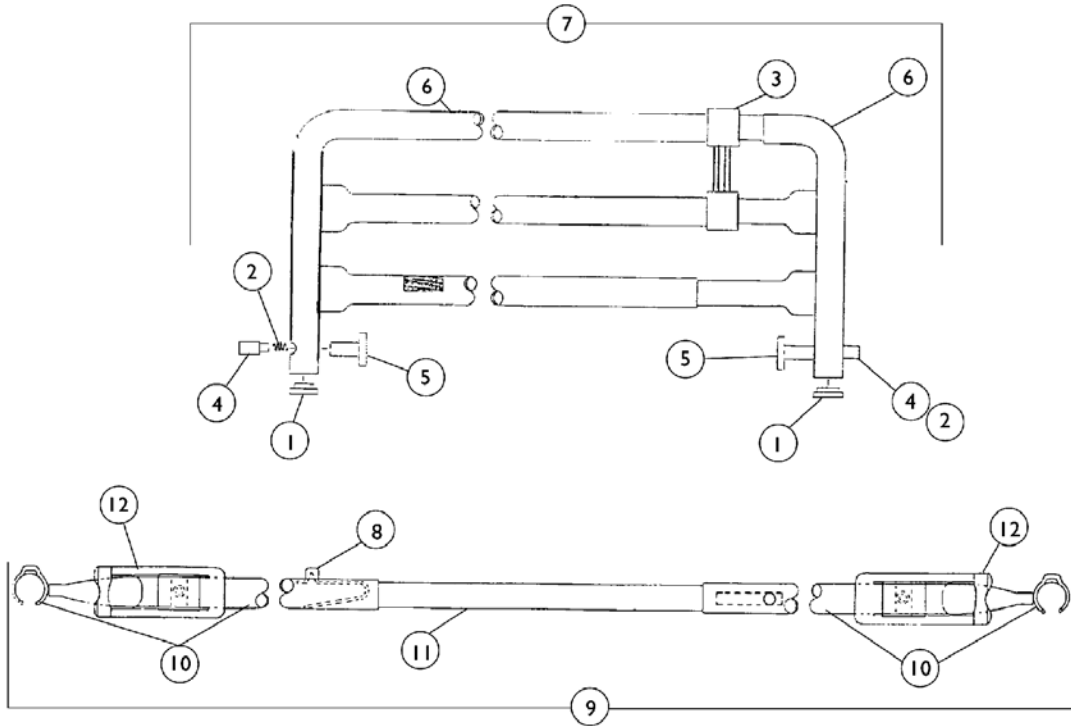
**6625 was discontinued 2/4/03.
6625L was discontinued 9/21/94.**

Item Number	Note	Part Number	Description	Quantity Per	
				Package	Assembly
1		16320X006-NLA	NLA - Rail, Outside	1	2
1		16320X007-NLA	NLA - Rail, Inside	1	2
2		1057287	Plug Button, Grey (1")	1	8
3		40314X001-NLA	NLA - Ring, Retaining	1	4
4	A,D	16330X000-NLA	NLA - Crossbrace Assembly, Grey	1	2
4	E	1010422-NLA	NLA - Crossbrace Assembly	1	2
5	D	1007727	Channel Only, Granite	1	2
5	E	1007729-NLA	NLA - Channel Only	1	2
9		60290X002	Locknut (5/16-18)	1	4
10	D	16308X000	Washer, Flat (5/16 x 11/16 x 1/16")	1	4
10	E	16347X000-NLA	NLA - Washer, Nylon (3/16 x 7/16 x 1/8")	1	4
11	B	16326X000	Barrel Assembly, Left Head End / Right Foot End (Includes: Plunger Knob and Pin)	1	2
11	B	16356X000	Barrel Assembly, Right Head End / Left Foot End (Includes: Plunger Knob and Pin)	1	2
12		19000X023	Spring, Plunger (23/64 x 5/8")	1	4
13		19000X012	Pin, Plunger	1	4
14		40014X020-NLA	NLA - Knob, Plunger	1	4
15	C	1028789-NLA	NLA - Kit, Frame Bar (Pair)	1	1
6			Bolt, Carriage (1/4-20 x 1-1/4")	1	2
7			NLA - Clamp Bar	1	2
8			Nut, Wing (1/4-20)	1	2
NOTE: A - Includes Items 5-11 B - Includes Items 3, 12-14 C - Includes Items 6-8 D - Used on 6625 E - Used on 6625L					

Standard Quick Clip-On Bed Rails 6627

This item was discontinued 2/16/96

Model 6627 (Discontinued)



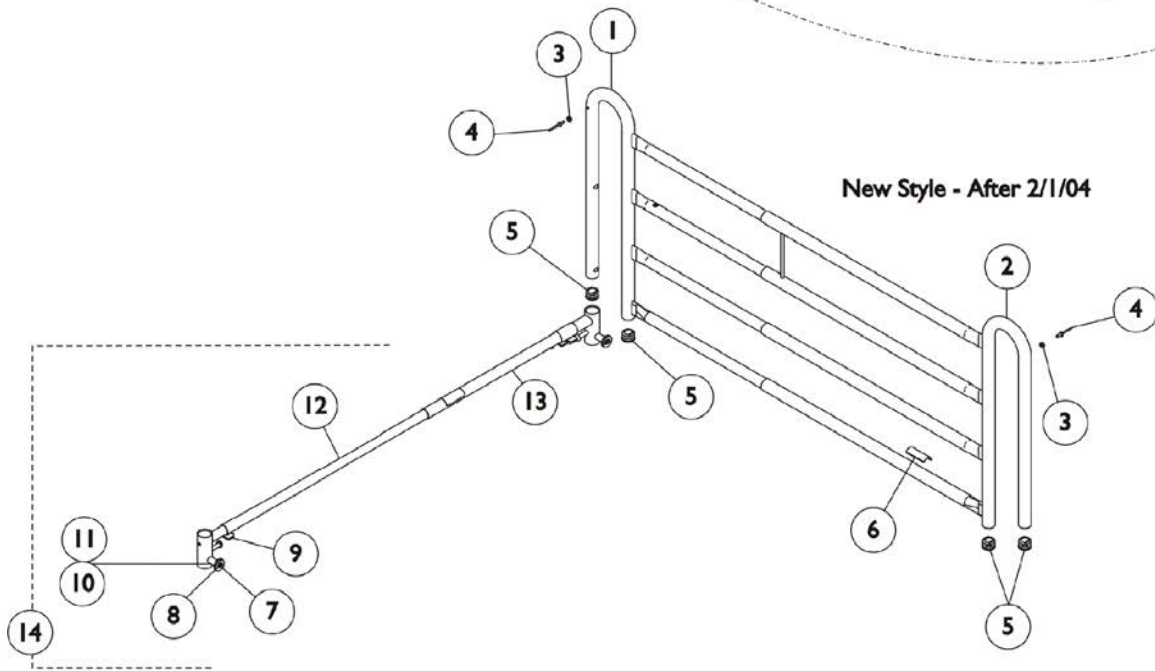
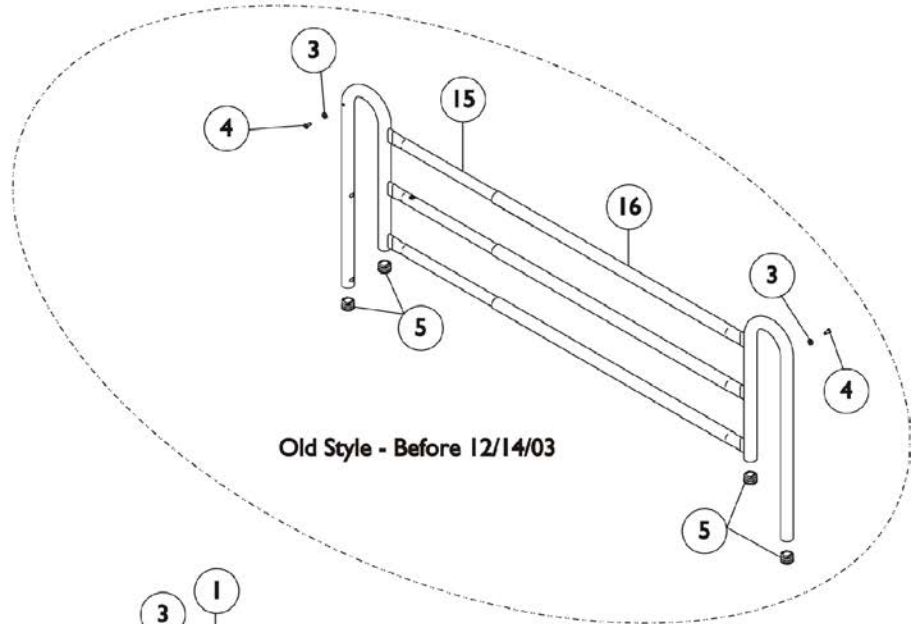
Standard Quick Clip-On Bed Rails 6627

This item was discontinued 2/16/96

Item Number	Note	Part Number	Description	Quantity Per	
				Package	Assembly
1		1027096	Plug Button, Grey (7/8")	1	4
2		19000X023	Spring, Plunger (23/64 x 5/8")	1	4
3		1012658-NLA	NLA - Spacer, Tube	1	2
4		1012660-NLA	NLA - Pin, Plunger	1	4
5		1012656	Knob, Plunger, Grey	1	4
6		1012669	Rail, Telescoping - Outside	1	2
6		1012670	Rail, Telescoping - Inside	1	2
7	A	1013305-NLA	NLA - Telescoping Rail Assembly	1	2
8		40188X009	Button, Single Snap	1	4
9	B	1023490-NLA	NLA - Crossbrace Assembly	1	2
10		1022789-NLA	NLA - Tube, Channel with Barrel - Left Head End / Right Foot End	1	2
10		1022790-NLA	NLA - Tube, Channel with Barrel - Left Foot End / Right Head End	1	2
11		1022842-NLA	NLA - Tube, Channel - Center	1	2
12		1022652-NLA	NLA - Clip, Spring	1	2

NOTE: A - Includes items 1-6
B - Crossbrace Assembly is no longer available. May be replaced with crossbrace from model 6629.

Deluxe Spring Loaded Bed Rails 6628 & 6628-TSS

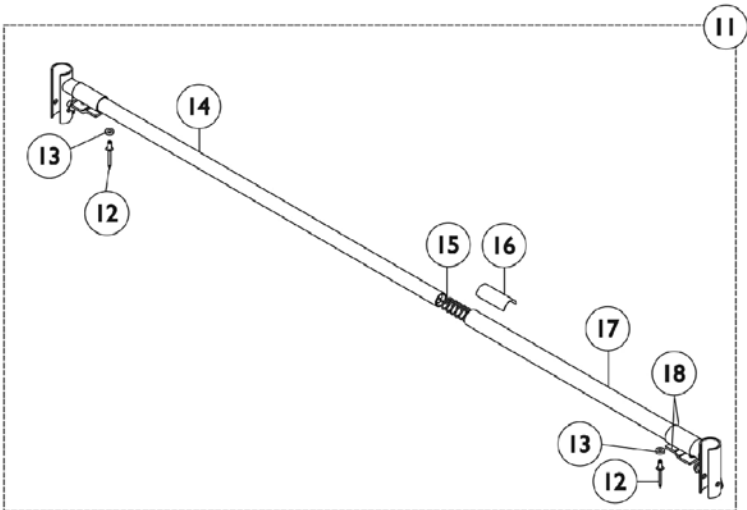
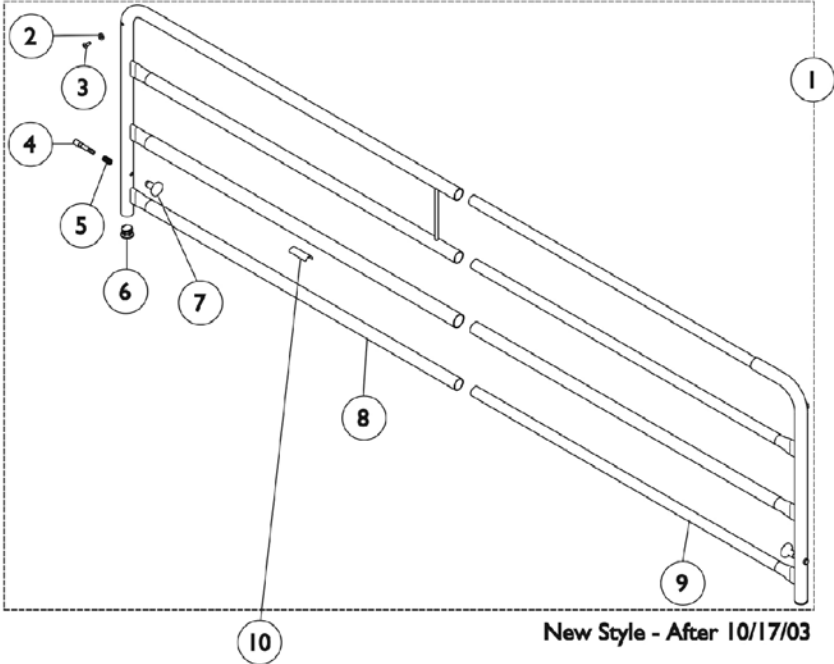
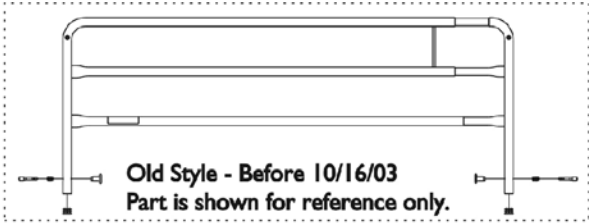


Deluxe Spring Loaded Bed Rails 6628 & 6628-TSS

Item Number	Note	Part Number	Description	Quantity Per	
				Package	Assembly
1	F	1121932-NLA	NLA - Rail, Inside	1	1
2	F	1121933-NLA	NLA - Rail, Outside	1	1
3		16347X000-NLA	NLA - Washer, Nylon (3/16 x 7/16 x 1/8")	1	2
4		16348X000	Rivet (3/16 x 7/16")	1	2
5		1057287	Plug Button, Grey (1")	1	8
6		1122149-NLA	NLA - Label, Warning - Reduced Gap	1	1
7		40314X001-NLA	NLA - Ring, Retaining	1	4
8		40014X020-NLA	NLA - Knob, Plunger	1	4
9		1110764-NLA	NLA - Clip, Rail - Small	1	2
9		1110765-NLA	NLA - Clip, Rail - Large	1	2
12		1106232-NLA	NLA - Tube, Channel with Barrel - Inside	1	1
12	G	1110951-NLA	NLA - Tube, Channel with Barrel, Chrome - Inner Deluxe	1	1
13		1106234-NLA	NLA - Tube, Channel with Barrel, Outside	1	1
13		1110954-NLA	NLA - Tube, Channel with Barrel, Chrome - Outer Deluxe	1	1
14	A,D	1106235-NLA	NLA - Crossbrace Assembly, Chrome	1	2
14	A,C	1110955-NLA	NLA - Crossbrace Assembly, Deluxe, Wide	1	2
15		16320X007-NLA	NLA - Rail, Inside	1	1
16		16320X006-NLA	NLA - Rail, Outside	1	1
	B,E	1110957-NLA	NLA - Kit, Bed Rail Hardware	1	1

NOTE: A - Includes Items 3-12 and the Bed Rail Hardware Kit.
 B - Not Shown
 C - To be used with a TSS Mattress Only. Crossbraces are extra wide to accommodate the mattress.
 D - Both old style and new style models use this crossbrace.
 E - Includes the Wing Screws (4) to hold the X-Brace in place on the Bed Frame.
 F - 2/1/04 the rails will have 4 rungs instead of 3 so an inner and an outer Rail needs to be ordered when replacing.
 G - No longer available as a service part individually. Order item 14 part #1110955 as a replacement.

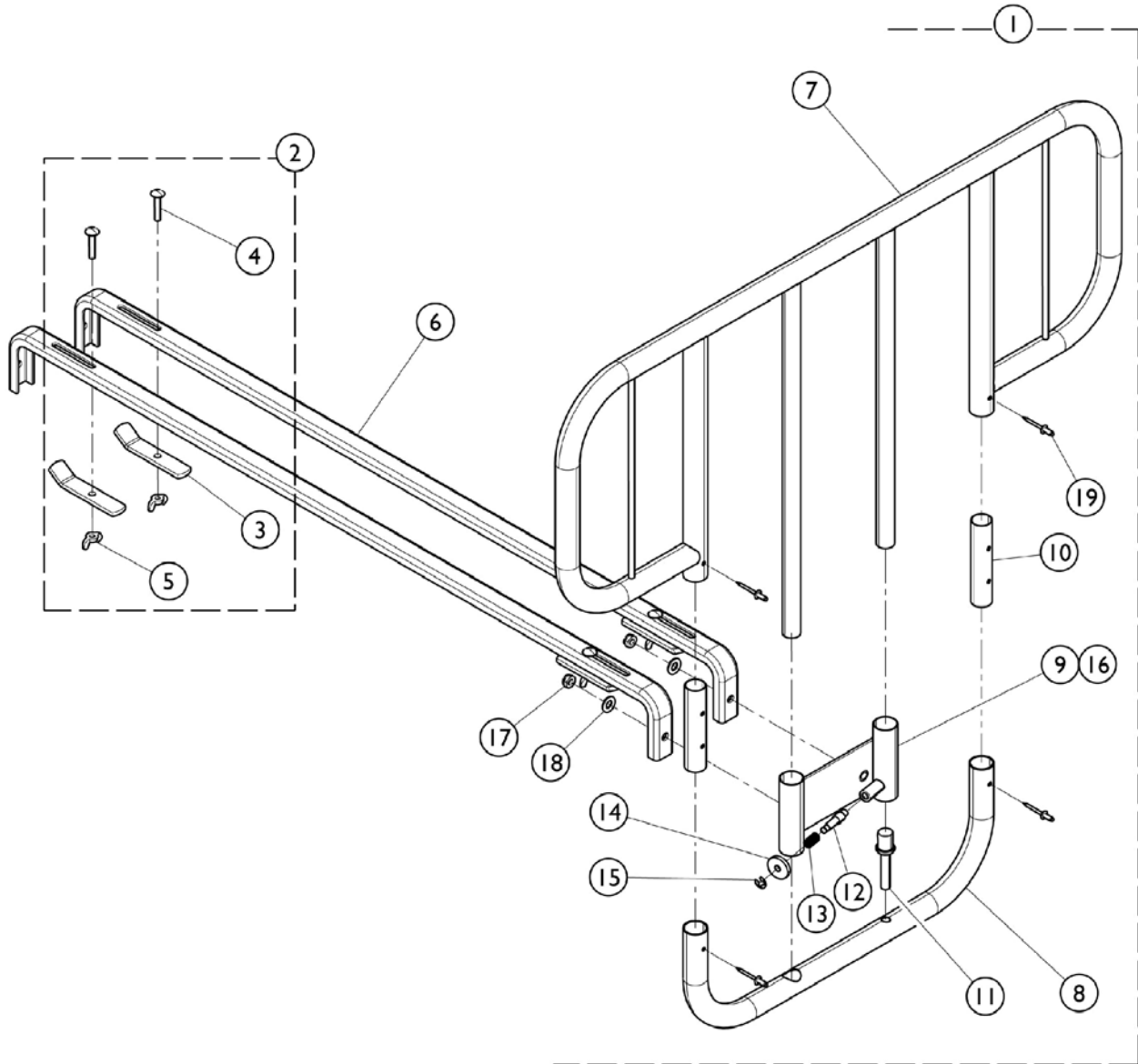
Standard Spring Loaded Bed Rails 6629



Standard Spring Loaded Bed Rails 6629

Item Number	Note	Part Number	Description	Quantity Per	
				Package	Assembly
1	A,C	1135777-NLA	NLA - Kit, Telescoping Bed Rail	1	2
2			NLA - Washer, Nylon (3/16 x 7/16 x 1/8")	1	2
3			Rivet (3/16 x 7/16")	1	2
4			NLA - Pin, Plunger	1	2
5			Spring, Plunger (23/64 x 5/8")	1	2
6			Plug Button, Grey (7/8")	1	2
7			Knob, Plunger, Grey	1	2
8			NLA - Rail, Telescoping - Outside	1	1
9			NLA - Rail, Telescoping - Inside	1	1
			Label, Entrapment Warning	1	1
10		1122149-NLA	NLA - Label, Warning - Reduced Gap	1	1
11	B	1108836-NLA	NLA - Crossbrace Assembly, Chrome	1	2
12		16348X000	Rivet (3/16 x 7/16")	1	4
13		16347X000-NLA	NLA - Washer, Nylon (3/16 x 7/16 x 1/8")	1	4
14	E	1108832-NLA	NLA - Tube, Channel w/ Barrel - Inside	1	2
15		1047101-NLA	NLA - Spring, Compression with Hook End	1	2
16		1011239-NLA	NLA - Label, Caution	1	2
17		1108835-NLA	NLA - Tube, Channel with Barrel - Outside	1	2
18		1047096-NLA	NLA - Clip, Crossbrace	1	4
19	D	1110957-NLA	NLA - Kit, Bed Rail Hardware	1	1
<p>NOTE: A - Includes: Items 2-9 and the Warning Label B - Includes: Items 12-18 C - As of 10/17/03 the rails have 4 rungs instead of 3 so an inner and an outer Rail needs to be ordered when replacing. D - Not Shown. E - No longer available as an individual service part, use Item 11 (1108836) as its replacement.</p>					

Half Length Bed Rails - 6630

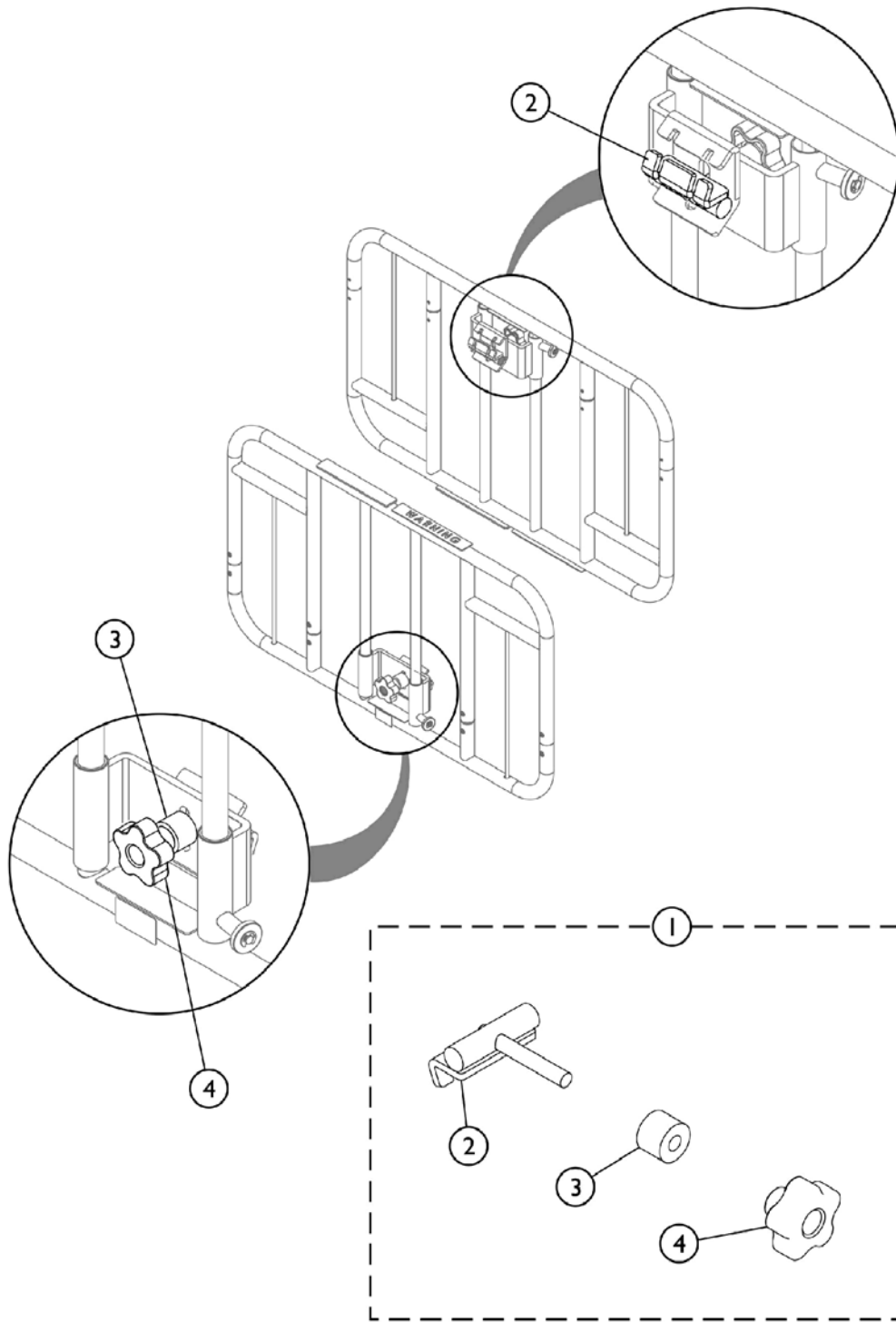


Half Length Bed Rails - 6630

Item Number	Note	Part Number	Description	Quantity Per	
				Package	Assembly
1	A	16364X000-NLA	NLA - Half Rail Assembly	1	2
2	B	1028789-NLA	NLA - Kit, Frame Bar (Pair)	1	1
3			Bolt, Carriage (1/4-20 x 1-1/4")	1	2
4			NLA - Clamp Bar	1	2
5			Nut, Wing (1/4-20)	1	2
6		1007727	Channel Only, Granite	1	2
7		16357X000-NLA	NLA - Rail, Top	1	2
8		16362X000-NLA	NLA - Rail, Bottom	1	2
9		16346X000-NLA	NLA - Bracket, Slide, Chrome	1	2
10		16363X000-NLA	NLA - Bushing (4")	1	2
11		16335X000	Insert	1	2
12		19000X012	Pin, Plunger	1	2
13		19000X023	Spring, Plunger (23/64 x 5/8")	1	2
14		40014X020-NLA	NLA - Knob, Plunger	1	1
15		40314X001-NLA	NLA - Ring, Retaining	1	1
16		16336X000	Bushing, Composite, Nylon (25/32 x 29/32 x 3/4")	1	6
17	D	60290X002	Locknut (5/16-18)	1	4
18	D	16308X000	Washer, Flat (5/16 x 11/16 x 1/16")	1	4
19		16348X000	Rivet (3/16 x 7/16")	1	8
	C	1016386-NLA	NLA - Instruction Sheet, 6630 Bedrail	1	1

NOTE: A - Includes items 7 - 19.
 B - Includes items 3 - 5.
 C - Not shown in illustration.
 D - Used to mount Item 6 to Item 9, mounted to studs already welded to Item 9 on the opposite side from the view in the illustration. Refer to Instruction Sheet for more detail.

Clamp-On Half Length Bed Rails - 6630DS



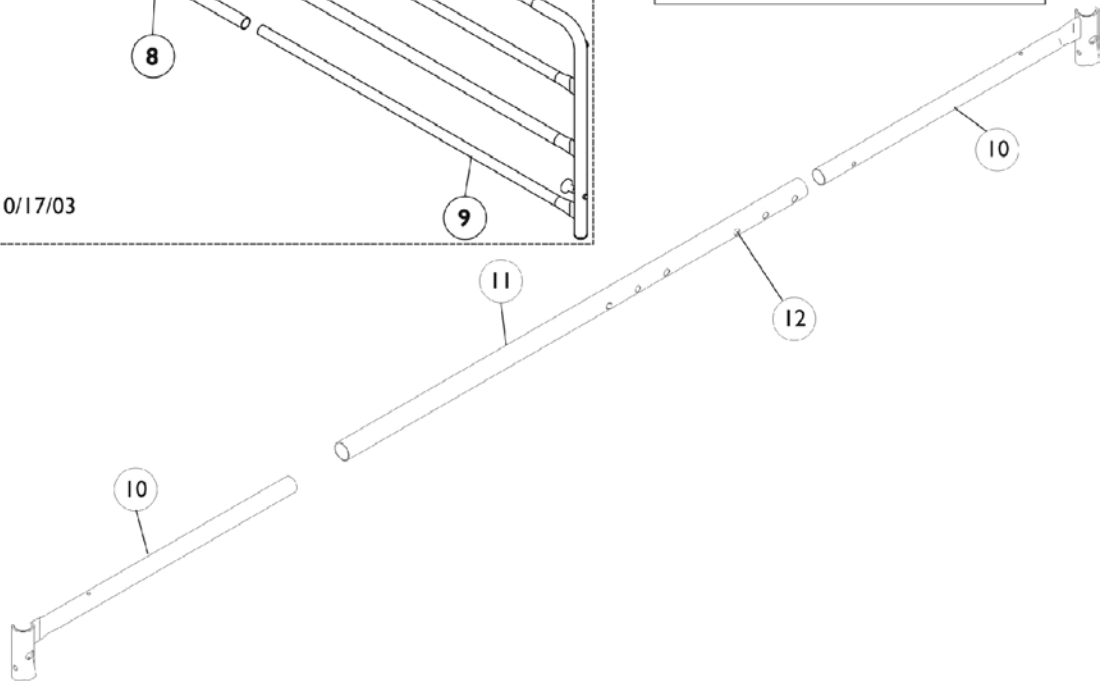
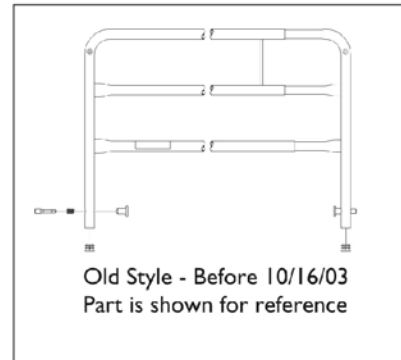
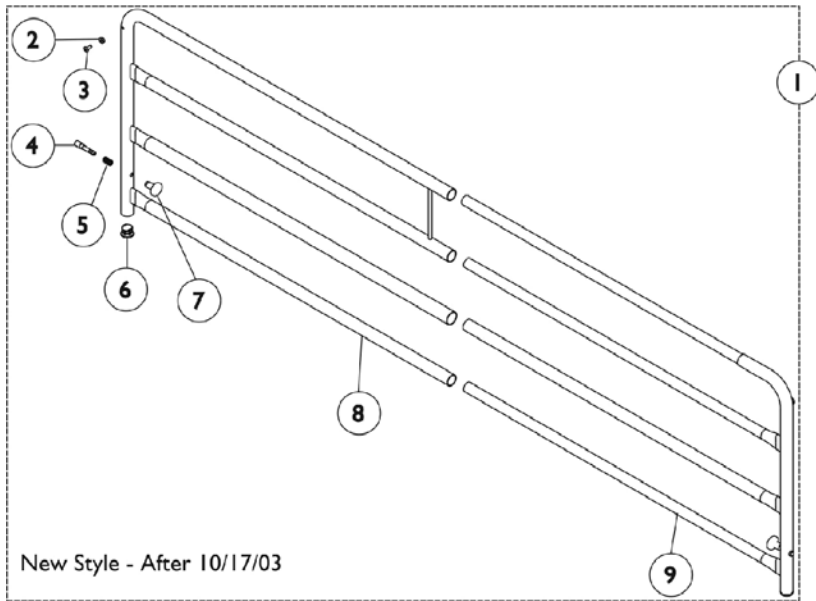
SBP_087A

Clamp-On Half Length Bed Rails - 6630DS

Item Number	Note	Part Number	Description	Quantity Per	
				Package	Assembly
1	A	1193768	Kit, Half Rail Slide	1	1
2			Bracket, Top Slide	1	1
3			Bushing	1	1
4			Knob, 3/8-16 w/ Insert	1	1
			NLA - Bag, Poly Zip-Lip (8-3/4" L x 6" W)	1	1

NOTE: A - Includes items 2-4 and Poly Bag (not shown). Kit is sold complete.

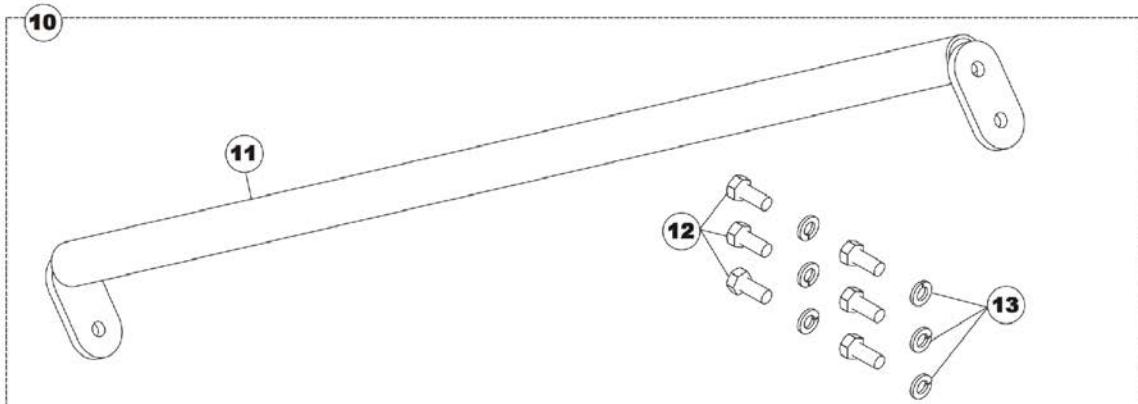
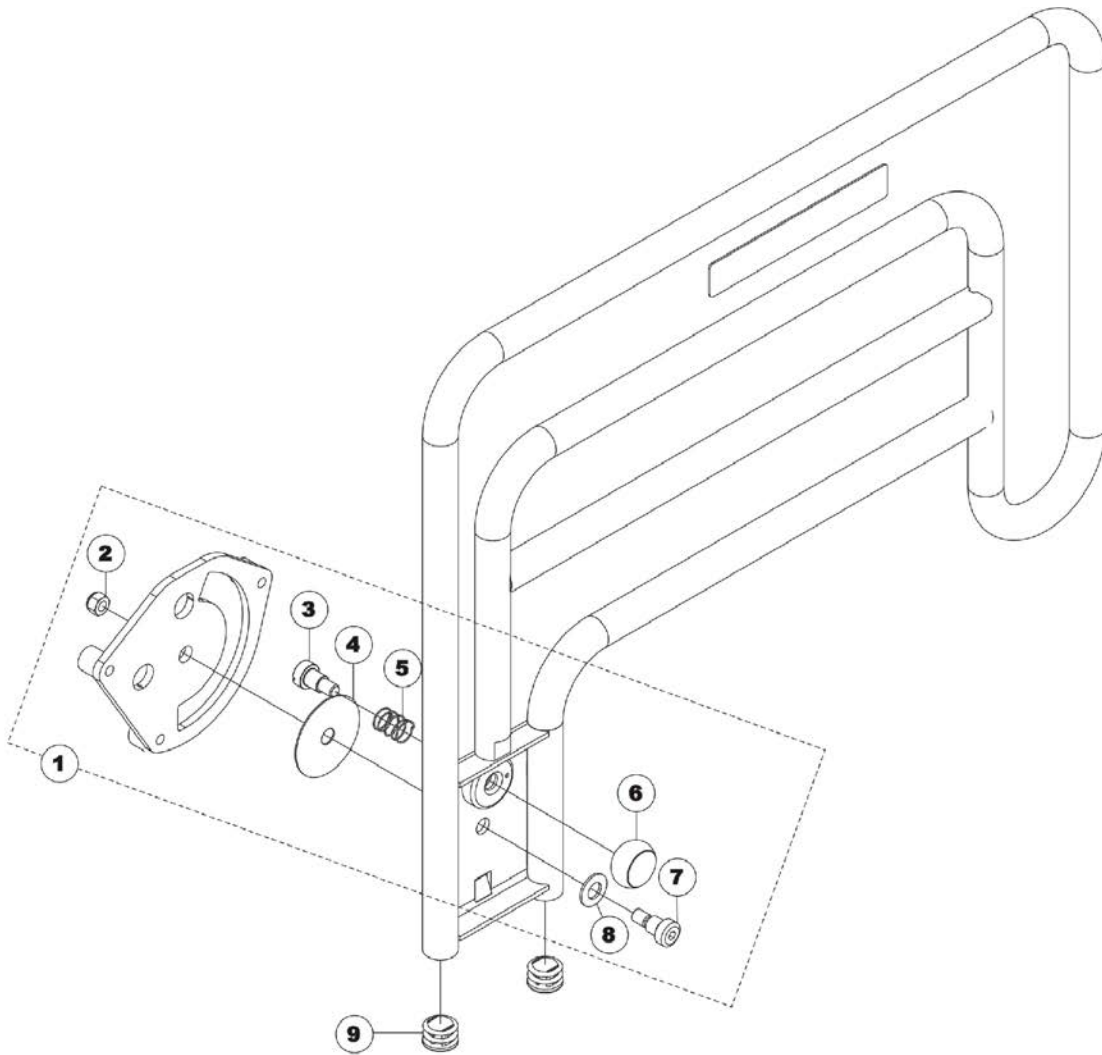
Telescoping Home Bed Rail 6631



Telescoping Home Bed Rail 6631

Item Number	Note	Part Number	Description	Quantity Per	
				Package	Assembly
1	A,B	1135777-NLA	NLA - Kit, Telescoping Bed Rail	1	2
2			NLA - Washer, Nylon (3/16 x 7/16 x 1/8")	1	2
3			Rivet (3/16 x 7/16")	1	2
4			NLA - Pin, Plunger	1	2
5			Spring, Plunger (23/64 x 5/8")	1	2
6			Plug Button, Grey (7/8")	1	2
7			Knob, Plunger, Grey	1	2
8			NLA - Rail, Telescoping - Outside	1	1
9			NLA - Rail, Telescoping - Inside	1	1
		Label, Entrapment Warning	1	1	
10		1022789-NLA	NLA - Tube, Channel with Barrel - Left Head End / Right Foot End	1	2
10		1022790-NLA	NLA - Tube, Channel with Barrel - Left Foot End / Right Head End	1	2
11	1023599-NLA	NLA - Tube, Channel, Chrome - Center	1	2	
12	40188X009	Button, Single Snap	1	4	
NOTE: A - As of 10/17/03 the rails have 4 rungs instead of 3 so an inner and an outer Rail needs to be ordered when replacing. B - Includes: Items 2-9 and the Warning Label					

Half Length Assist Rail - 6632

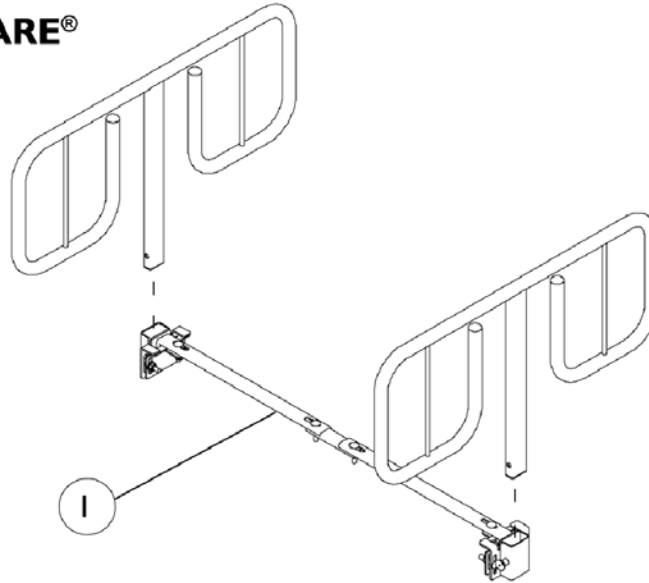


Half Length Assist Rail - 6632

Item Number	Note	Part Number	Description	Quantity Per	
				Package	Assembly
1	A	1134721	Kit, Bed Rail Hardware	1	1
2			NLA - Locknut (3/8-16)	1	1
3			Screw, Shoulder Slotted Head (1/2 x 1/2", 3/8-16)	1	1
4			Washer, Nylon (1/2 x 2-1/2 x 1/32")	1	1
5			Spring, Compression (3/4 x 1 x 1/32")	1	1
6			Knob, LATCH-0002 (3/8-16 x 1-3/8")	1	1
7			Screw, Shoulder Hex Socket Head (1/2 x 1/2", 3/8-16)	1	1
8			Washer (1/2 x 1 x 3/32")	1	1
9	B	1029501	Plug Button, Black (1")	1	2
10		1134720-NLA	NLA - Kit, Cross Tube Replacement	1	1
11		NLA - Crossbrace, Assist Rail, Brown	1	1	
12		NLA - Screw, Hex Head (5/16-18 x 3/4")	1	6	
13		NLA - Washer, Split Lock (5/16")	1	6	
NOTE: A - Includes: Items 2-8 B - Includes: Items 11-13					

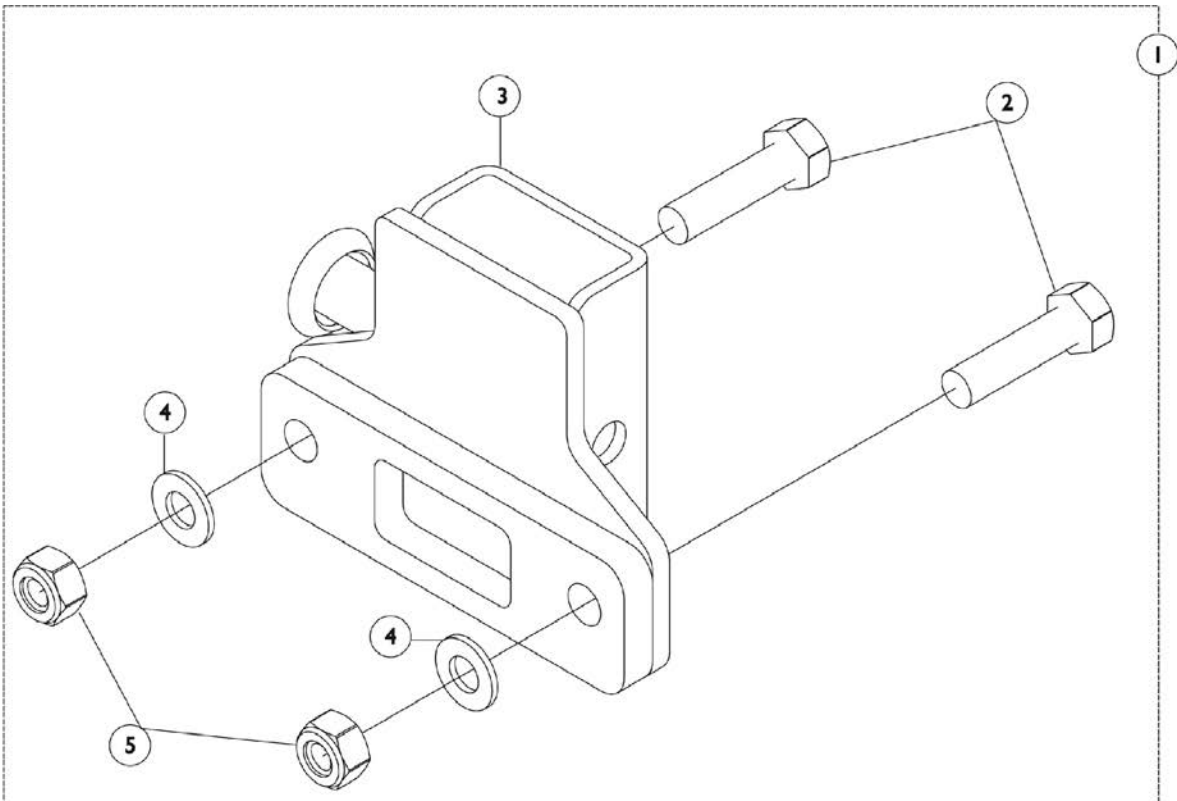
Economy Bed Rail 6640

**Model 6640
CAREGUARD™ by INVACARE®**



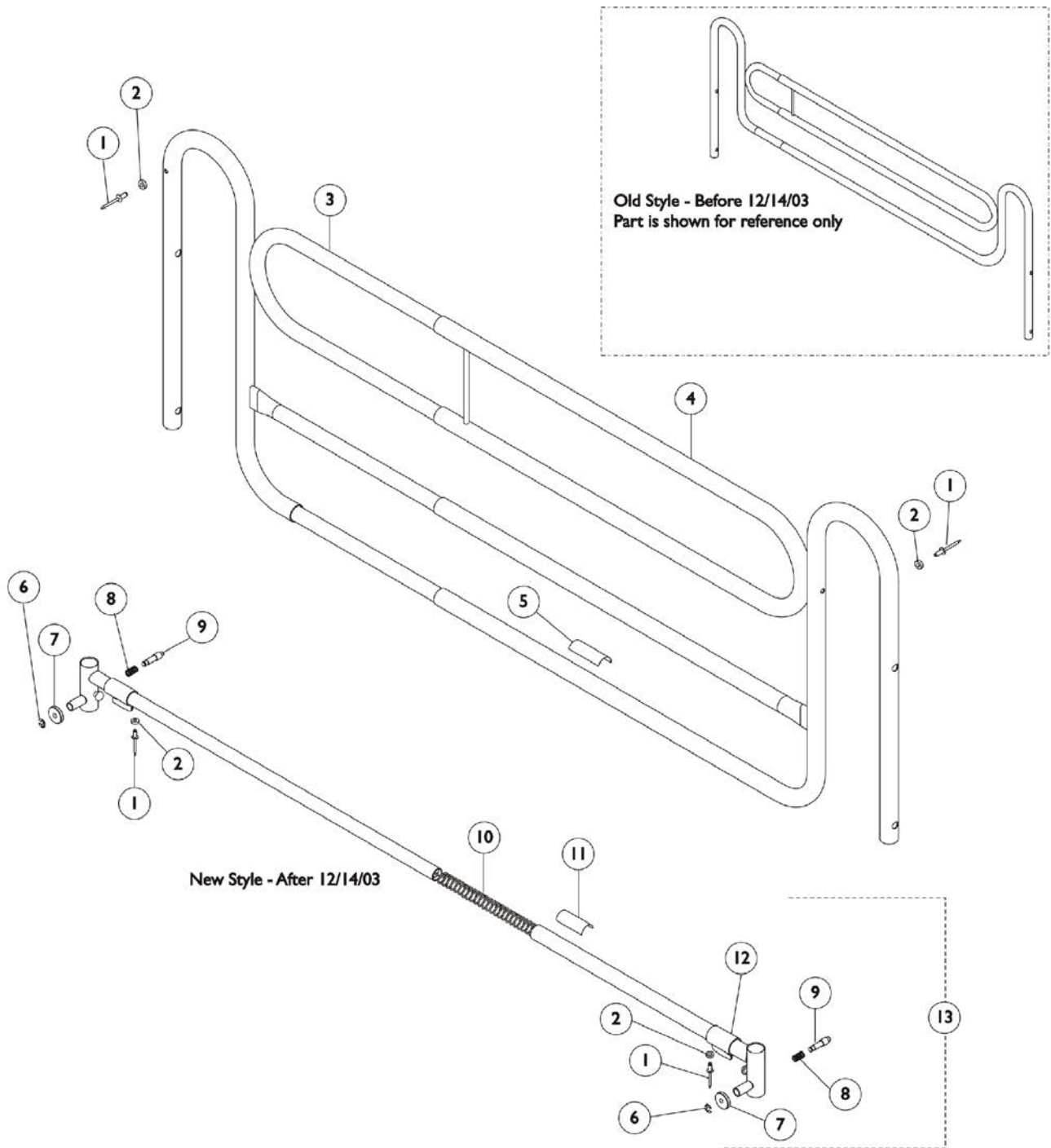
Item Number	Note	Part Number	Description	Quantity Per	
				Package	Assembly
1	A	1082477-NLA	NLA - Kit, Crossbrace	1	1
			Clamp, Side Adjustment	1	2
			NLA - Kit, Homecare Bed Hardware	1	1
			Bolt, Round Hd Square Neck (5/16-18 x 1-1/4")	1	4
			Nut, Hex Lock (5/16-18)	1	6
			NLA - Spacer (5/16 x 3/4 x 1/2")	1	4
			NLA - Screw, Round Head Square Neck (5/16-18 x 2")	1	2
NOTE: A - Crossbrace Kit accommodates both the (Homecare Beds (1105472)) and BAR600 Bariatric Beds. Individual components are not shown.					

Bariatric Bed Rails - BAR6640IVC



Item Number	Note	Part Number	Description	Quantity Per	
				Package	Assembly
1		1128330	Kit, Adjustable Lock	1	1
2			NLA - Screw, Hex Head (5/16-18 x 1-1/4")	1	2
3			Bracket, Adjustable Locking	1	1
4			NLA - Washer, Steel (5/16 x 5/8 x 1/16")	1	2
5			Nut, Hex Lock (5/16-18)	1	2

Economy Telescoping Bed Rail 6650



Economy Telescoping Bed Rail 6650

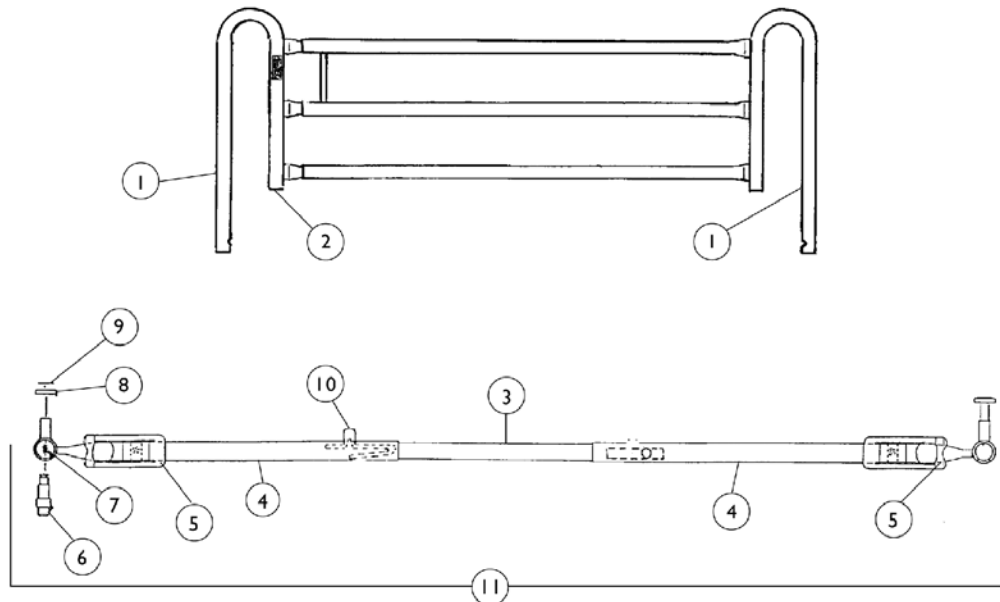
Item Number	Note	Part Number	Description	Quantity Per	
				Package	Assembly
1		16348X000	Rivet (3/16 x 7/16")	1	2
2		16347X000-NLA	NLA - Washer, Nylon (3/16 x 7/16 x 1/8")	1	2
3	A	1121941-NLA	NLA - Rail, Telescoping - Inside	1	1
4	A	1121940-NLA	Rail, Telescoping - Outside	1	1
5		1122149-NLA	NLA - Label, Warning - Reduced Gap	1	1
6		40314X001-NLA	NLA - Ring, Retaining	1	2
7		40014X020-NLA	NLA - Knob, Plunger	1	2
8		19000X023	Spring, Plunger (23/64 x 5/8")	1	2
9		19000X012	Pin, Plunger	1	2
10		1047101-NLA	NLA - Spring, Compression with Hook End	1	1
11		1011239-NLA	NLA - Label, Caution	1	1
12		1047096-NLA	NLA - Clip, Crossbrace	1	2
13		1106244-NLA	NLA - Crossbrace Assembly	1	2

NOTE: A - After 2/1/04 the rails will have 4 rungs instead of 3 so an inner and an outer Rail needs to be ordered when replacing.

Deluxe Quick Clip-On Bed Rail 6658

This item was discontinued as of 10/12/95

Model 6658 (Discontinued)



Item Number	Note	Part Number	Description	Quantity Per	
				Package	Assembly
1		16320X006-NLA	NLA - Rail, Outside	1	2
1		16320X007-NLA	NLA - Rail, Inside	1	2
2		1057287	Plug Button, Grey (1")	1	8
3		1022842-NLA	NLA - Tube, Channel - Center	1	2
4		1106235-NLA	NLA - Crossbrace Assembly, Chrome	1	2
5		1022652-NLA	NLA - Clip, Spring	1	2
6		19000X012	Pin, Plunger	1	4
7		19000X023	Spring, Plunger (23/64 x 5/8")	1	4
8		40014X020-NLA	NLA - Knob, Plunger	1	4
9		40314X001-NLA	NLA - Ring, Retaining	1	4
10		40188X009	Button, Single Snap	1	4
11	A	1023491-NLA	NLA - Crossbrace Assembly	1	2

NOTE: A - Includes Items 3-10.

If an NLA item needs to be replaced, please see the current bed rail model numbers available. Parts are not interchangeable so a whole new model will need to be ordered.

Invacare Corporation

www.invacare.com



Yes, you can.

One Invacare Way
Elyria, Oh USA
44036-2125
800-333-6900

Technical Support
800-832-4707
Florida Technical Support
407-321-5630

Customer Service
800-333-6900

© 2019 Invacare Corporation, Elyria, Ohio.
All rights reserved. Trademarks are
identified by the symbols TM and ®. All
trademarks are owned by or licensed to
Invacare Corporation unless otherwise
noted. (Revised 11/18/19)

Form No. 92-048