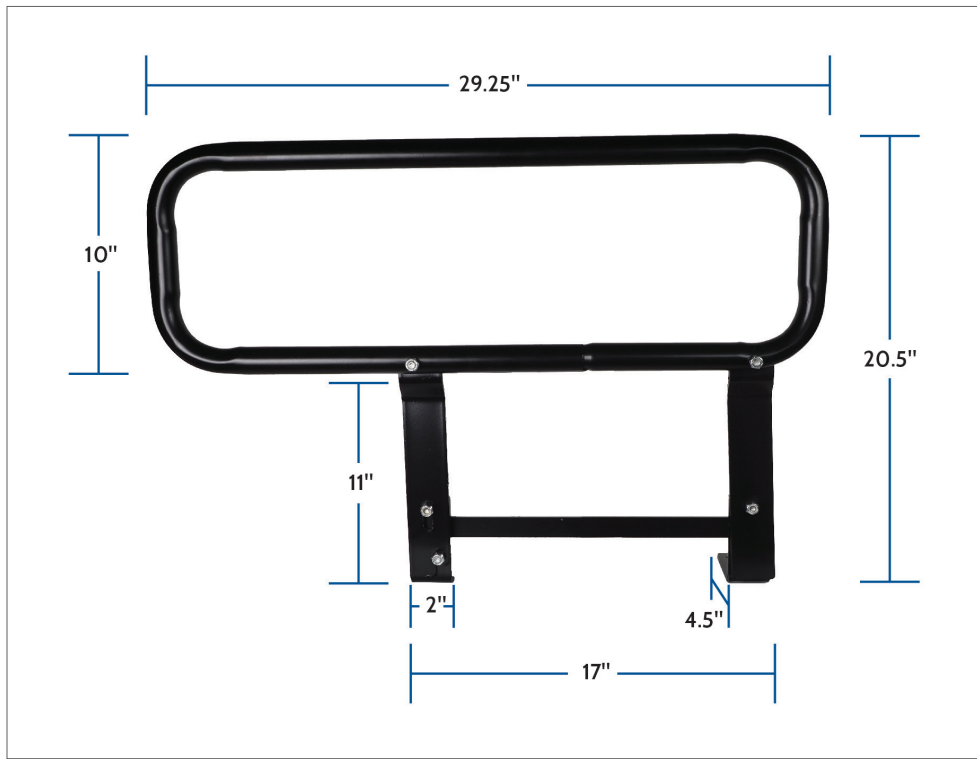


2022

Side Rail Specifications



Side Rail Fully Extended



Side Rail in Down Position



Side Rail with Black Cover

Element

Dimension

TOTAL SIDE RAIL HEIGHT

20.5"

TOTAL SIDE RAIL WIDTH

29.25"

TUBE HEIGHT

10"

PIVOT ARM HEIGHT

11"

PIVOT ARM WIDTH

2"

WELDED ASSEMBLY WIDTH

17"

MOUNTING BRACKET LENGTH

4.5"