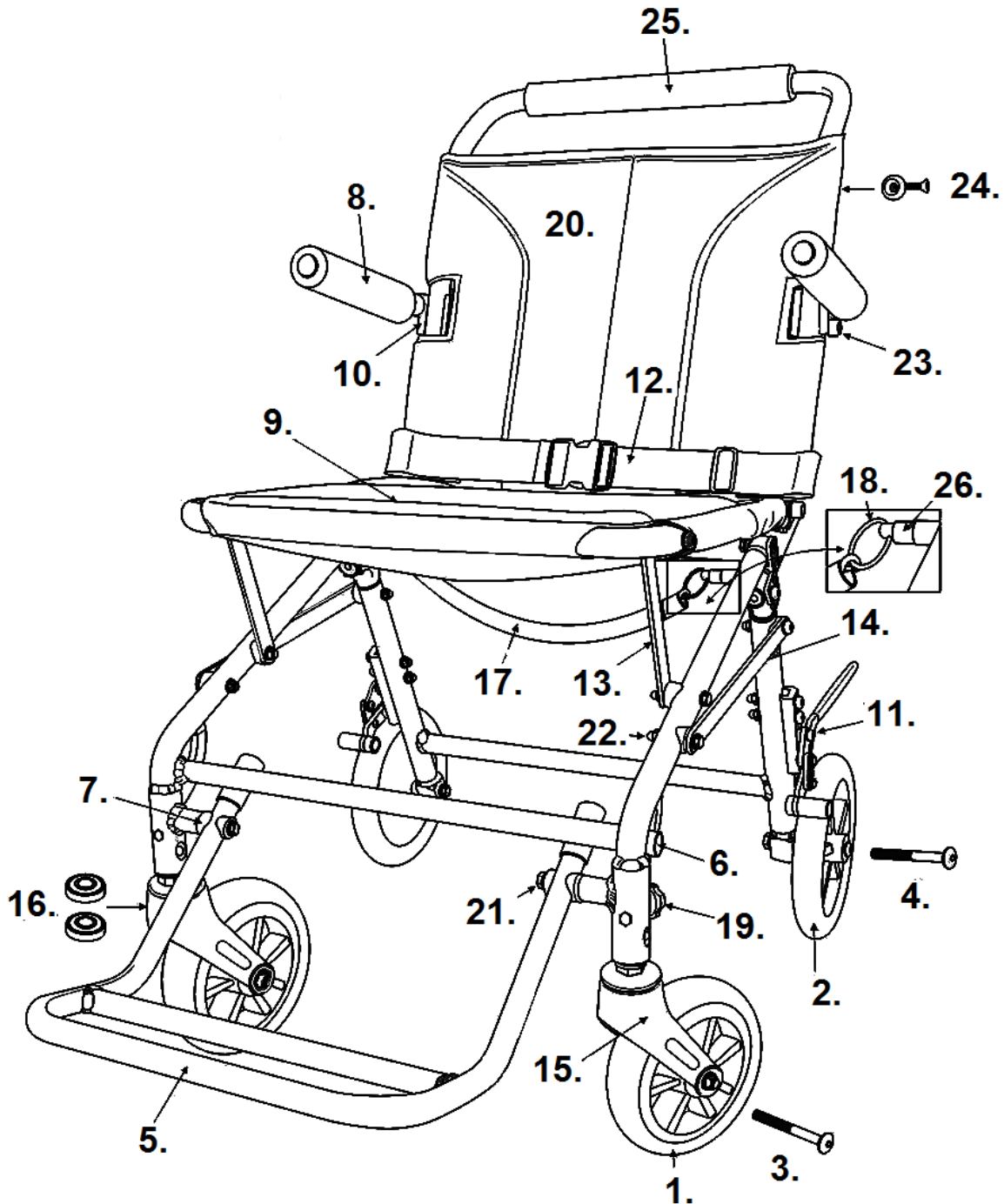


SUPER LIGHT FOLDING TRANSPORT CHAIR (SL18)



- | | |
|---------------------------------------|-------------------------------------|
| 1. Caster- SL182A00 | 13. Folding Hinge- SL182A11 |
| 2. Rear Wheel- SL182A01 | 14. Support Bar- SL182A12 |
| 3. Caster Axle- SL182A02 | 15. Fork- SL182A13 |
| 4. Rear Wheel Axle- SL182A03 | 16. Fork Bearing- SL182A14 |
| 5. Footrest- SL182A04 | 17. Support Chain- SL182A15 |
| 6. Frame End Cap- SL182A05 | 18. Chain Clips- SL182A16 |
| 7. Frame Spacer- SL182A06 | 19. Knob- SL182A17 |
| 8. Arm Pad- SL182A07 | 20. Back Upholstery- SL182A18 |
| 9. Seat Upholstery- SL182A08 | 21. Footrest Hardware- SL182A20 |
| 10. Left Arm & Mtg. Bracket- SL182A19 | 22. Support Bar Hardware- SL182A21 |
| Right Arm & Mtg. Bracket- SL182A09 | 23. Bolt Cap- SL182A22 |
| 11. Wheel Lock Left- SL182A0L | 24. Upholstery Hardware- SL182A23 |
| Wheel Lock Right- SL182A0R | 25. Push Handle Bar Cover- SL182A24 |
| 12. Seat Belt- SL182A10 | 26. Folding Release Pin- SL182A26 |