



Parts List

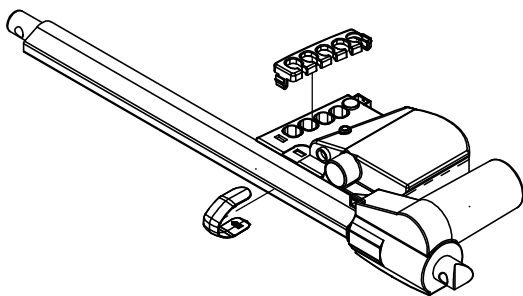
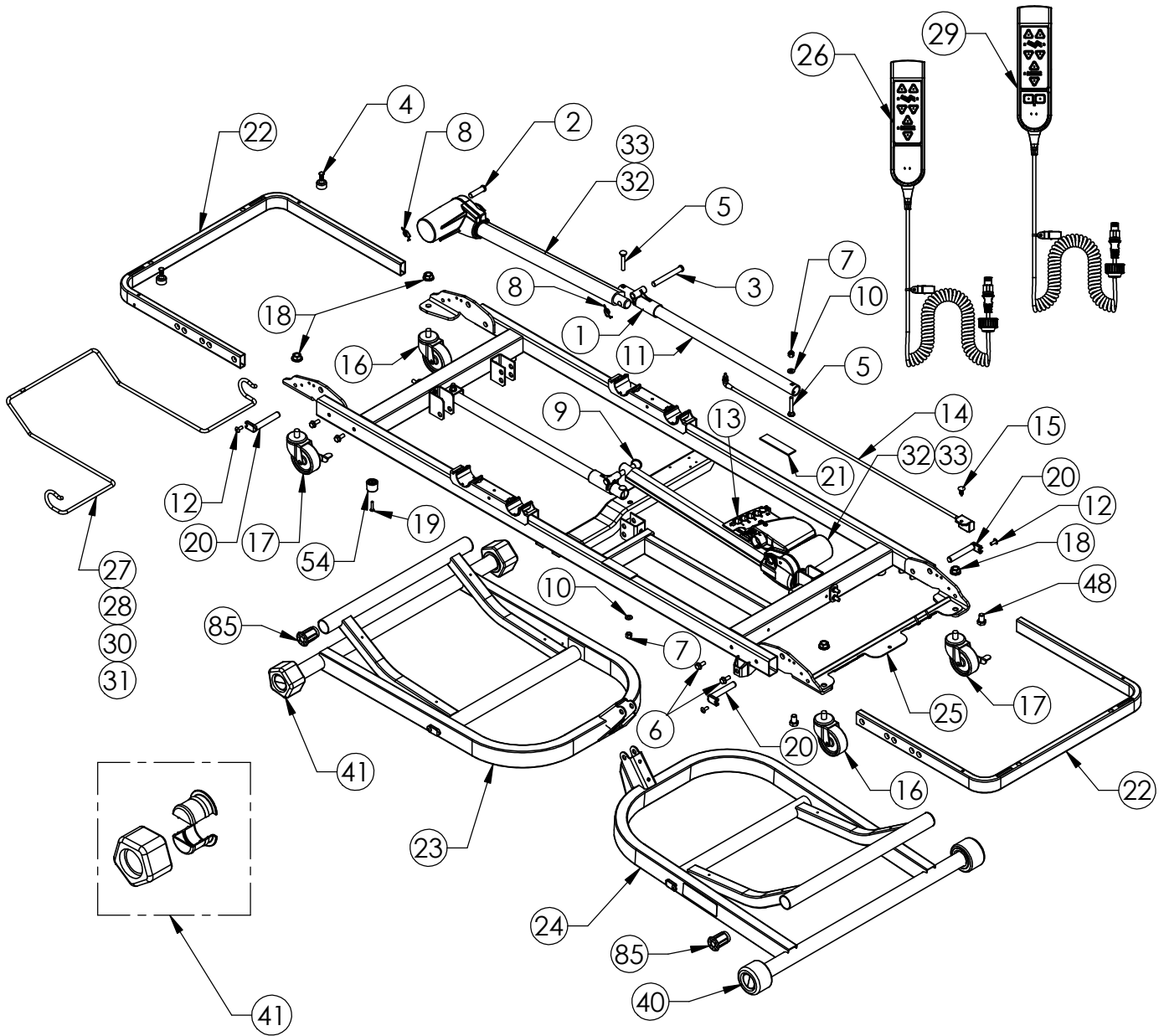
Joerns® Bed Frames

UltraCare® XT

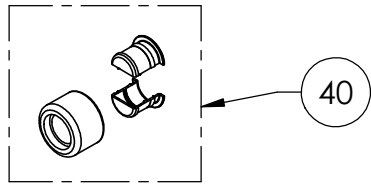
To avoid injury, read user's manual before using.



**FRAME COMPONENTS
76" AND 80" VERSIONS
MODEL: ULTRACARE XT**



ASSEMBLY OF ACTUATOR AND CONTROL BOX



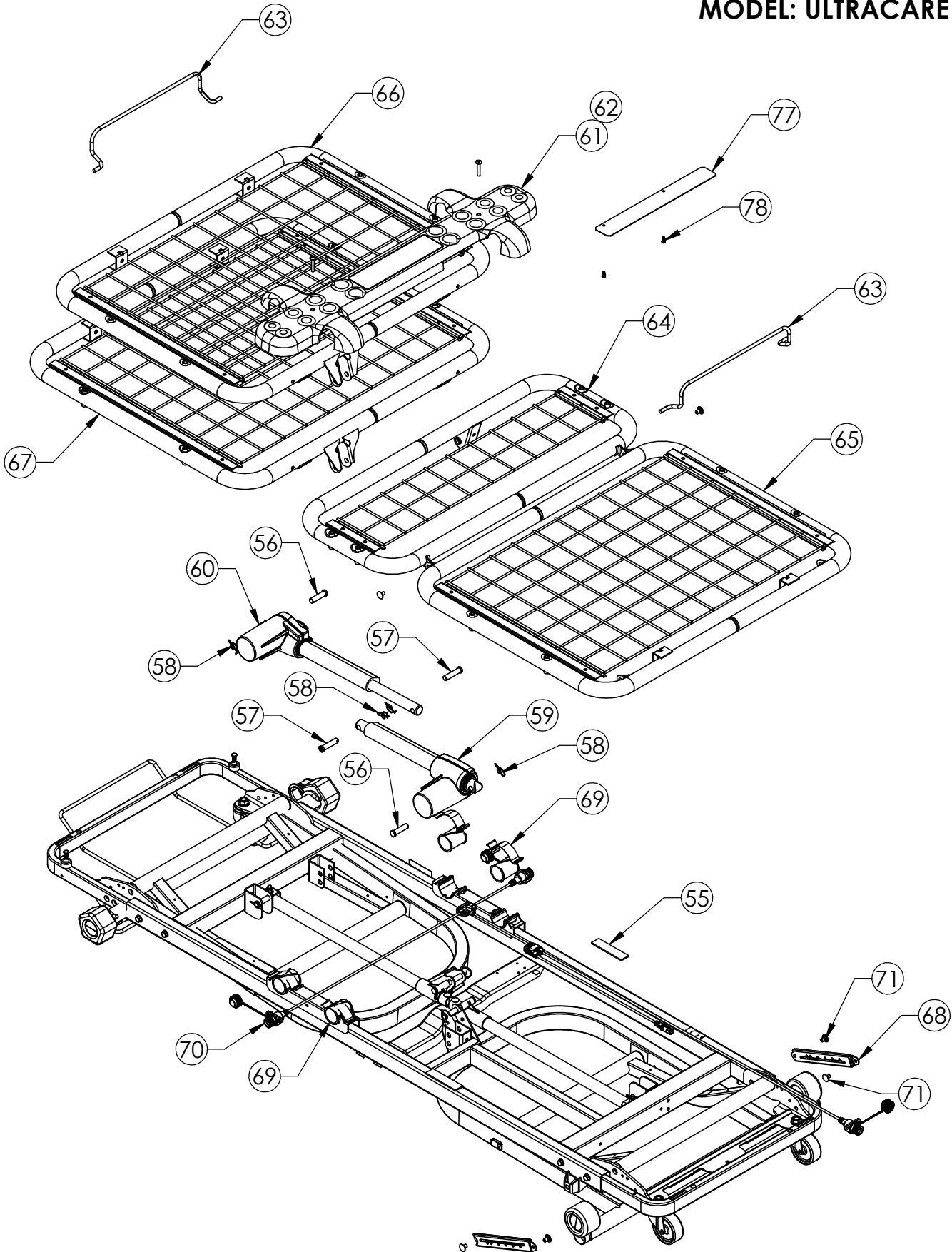
**FRAME COMPONENTS
76" AND 80" VERSIONS
MODEL: ULTRACARE XT**

ITEM	PART NUMBER	DESCRIPTION
NOT SHOWN	6110075	MANUAL, USER, ULTRACARE XT (PDF AVAILABLE ON WEBSITE)
1	39001070	KIT, REPLACEMENT, HI-LO GLIDE (TWO GLIDES, HARDWARE, INSTRUCTIONS)
2	11012238	PIN, PIVOT, SLEEP SURFACE
3	11012361	PIN, PIVOT, LEG/ ACTUATOR
4	31009151	ASSEMBLY, BUMPER
5	12523159	BOLT, CARRIAGE, 5/16-18 x 2"
6	12553104	SCREW, THREADFORMING, 5/16 x 3/4"
7	12673105	NUT, NYLOCK, 5/16-18
8	12800032	RING, RUE™
9	12809807	RING, KICKOUT
10	12847531	WASHER, FLAT, 5/16"
11	25005930	TUBE, HI-LO GUIDE
12	12552592	SCREW, THREADFORMING, 1/4-20 x 5/8"
13	39000967	KIT, CONTROL BOX (CONTROL BOX AND INSTRUCTIONS)
14	11012449	CABLE, BATTERY BACKUP
15	12743182	FASTENER, PUSH-IN
16	10630331	CASTER w/o BRAKE, 3"
17	10630332	CASTER w/ BRAKE, 3"
NOT SHOWN	39000874	KIT, CASTER (FOUR CASTERS, HARDWARE, INSTRUCTIONS)
18	12675024	NUT, WHIZLOCK, 1/2-13
19	12551030	SCREW, THREADFORMING, #10-24 x 1"
20	11012662	PIN, PIVOT, STABILIZER
21	11011331	PAD, STOP, KNEE/ LEG
22	11012722AL or 11012722BN	BRACKET, PANEL
23	31009158AL or 31009158BN	ASSEMBLY, LEG, HEAD END
24	31009159AL or 31009159BN	ASSEMBLY, LEG, FOOT END
25	11012740AL	BRACKET, STAFF CONTROL
26	11012990	PENDANT, STANDARD
27	11012852AL	BUMPER, WALL, 76", STANDARD
28	11012851AL	BUMPER, WALL, 80" STANDARD
29	11012840	PENDANT, ADVANCED
30	11011899AL	BUMPER, WALL, 76", ADVANCED
31	11012608AL	BUMPER, WALL, 80", ADVANCED
32	39000968	KIT, ACTUATOR, HI-LO, STANDARD (ACTUATOR, HARDWARE, INSTRUCTIONS)
33	39000969	KIT, ACTUATOR, HI-LO, FAST (ACTUATOR, HARDWARE, INSTRUCTIONS)
40	39000792	KIT, ROLLER AND HUB (ONE ROLLER, ONE HUB, INSTRUCTIONS)
41	39000793	KIT, PENTAGON AND HUB (ONE PENTAGON, ONE HUB, INSTRUCTIONS)
48	600-1574	SCREW, HEX, 1/2-13 x 3/4"
54	11013253	BUMPER, STOP
85	11011230	BUSHING, STABILIZER
NOT SHOWN	39000974	KIT, POWER CORD, CLASS I (GROUNDED) (CABLE, HARDWARE, INSTRUCTIONS)
NOT SHOWN	39000975	KIT, POWER CORD, CLASS II (DOUBLE INSULATED) (CABLE, HARDWARE, INSTRUCTIONS)
NOT SHOWN	39001072	KIT, CABLE, HEAD ACTUATOR (CABLE, HARDWARE, INSTRUCTIONS)
NOT SHOWN	39001073	KIT, CABLE, FOOT ACTUATOR (CABLE, HARDWARE, INSTRUCTIONS)
NOT SHOWN*	12150025	GROUND WIRE ASSEMBLY, 5"
NOT SHOWN*	12150026	GROUND WIRE ASSEMBLY, 10"
NOT SHOWN*	12541064	SCREW, #10-16 x 1/2"
NOT SHOWN*	12851004	WASHER, SPLIT LOCK, #10
NOT SHOWN*	12851001	WASHER, LOCK, EXTERNAL TOOTH, #10
NOT SHOWN	12500013	PACKET, GREASE (ONE CC TUBE OF JOERNS-APPROVED GREASE)

**NOTE: "AL" SUFFIX DESIGNATES SOFT TONE PAINTED PARTS;
"BN" SUFFIX DESIGNATES RAVEN BROWN PAINTED PARTS**

NOTE: GROUND WIRES (12150025 AND 12150026) AND ATTACHING HARDWARE (12541064, 12851004, AND 12851001) ARE NOT SHOWN - REFER TO LENGTH OF WIRE ASSEMBLIES ON BED IF REPLACEMENT IS REQUIRED. ASTERISK (*) DENOTES PARTS ORDERABLE FOR CLASS I GROUNDED VERSION OF UCXT

MATTRESS SUPPORT COMPONENTS
76" AND 80" VERSIONS
MODEL: ULTRACARE XT

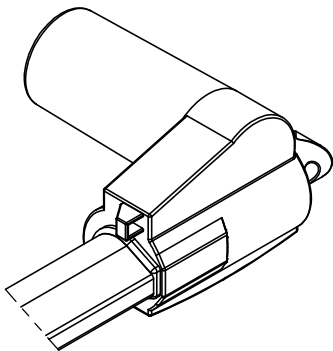


**MATTRESS SUPPORT COMPONENTS
76" AND 80" COMPONENTS
MODEL: ULTRACARE XT**

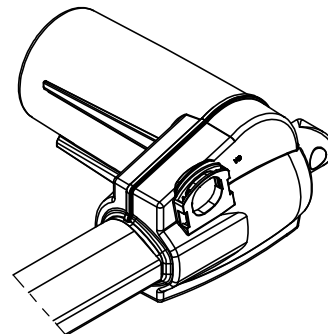
ITEM	PART NUMBER	DESCRIPTION
55	11011331	PAD, STOP, KNEE/LEG
56	11012238	PIN, ACTUATOR PIVOT
57	11012387	PIN, CLEVIS, 12mm x 1.628"
58	12800032	RING, RUE-22
59	39000972	KIT, ACTUATOR, BACK (ACTUATOR, HARDWARE, INSTRUCTIONS)
60	39000973	KIT, ACTUATOR, KNEE (ACTUATOR, HARDWARE, INSTRUCTIONS)
61	39000980	KIT, SEAT PAN, SOFT TONE (SEAT PAN, HARDWARE, INSTRUCTIONS)
62	39000981	KIT, SEAT PAN, BLACK (SEAT PAN, HARDWARE, INSTRUCTIONS)
63	11011369AL	STOP, MATTRESS
64	24006325AL or 24006325BN	WELDMENT, KNEE SECTION
65	24006116AL or 24006116BN	WELDMENT, FOOT SECTION
66	24006114AL or 24006114BN	WELDMENT, BACK SECTION, 76"
67	24006113AL or 24006113BN	WELDMENT, BACK SECTION, 80"
68	39000794	KIT, GATCH REPLACEMENT (ONE GATCH LEVER, HARDWARE, INSTRUCTIONS)
69	39000802	KIT, MATTRESS DECK BEARING (FOUR BEARINGS, FOUR RETAINERS, GREASE, INSTRUCTIONS)
70	39001051	KIT, CONTROL HARNESS (CONTROL HARNESS, HARDWARE, INSTRUCTIONS)
71	39000052	KIT, RIVET REPLACEMENT (HARDWARE TO REPLACE TWO RIVETS)
NOT SHOWN**	39000979	KIT, MOTOR CABLE, KNEE (NOT SHOWN) (CABLE, HARDWARE, INSTRUCTIONS)
NOT SHOWN	39001074	KIT, MOTOR CABLE, BACK (NOT SHOWN) (CABLE, HARDWARE, INSTRUCTIONS)
NOT SHOWN***	39001075	KIT, MOTOR CABLE, KNEE (NOT SHOWN) (CABLE, HARDWARE, INSTRUCTIONS)
NOT SHOWN	39001040	KIT, NUT COVER (NOT SHOWN) (TWO NUT COVERS, HARDWARE, INSTRUCTIONS)
77	11013002AL	COVER, SEAT PAN
78	12553205	SCREW, TPH PLASTITE, #8-16 x 1/2"

**NOTE: "AL" SUFFIX DESIGNATES SOFT TONE PAINTED PARTS;
"BN" SUFFIX DESIGNATES RAVEN BROWN PAINTED PARTS**

NOTE: ITEMS MARKED WITH ** OR *** - SEE DETAILS BELOW

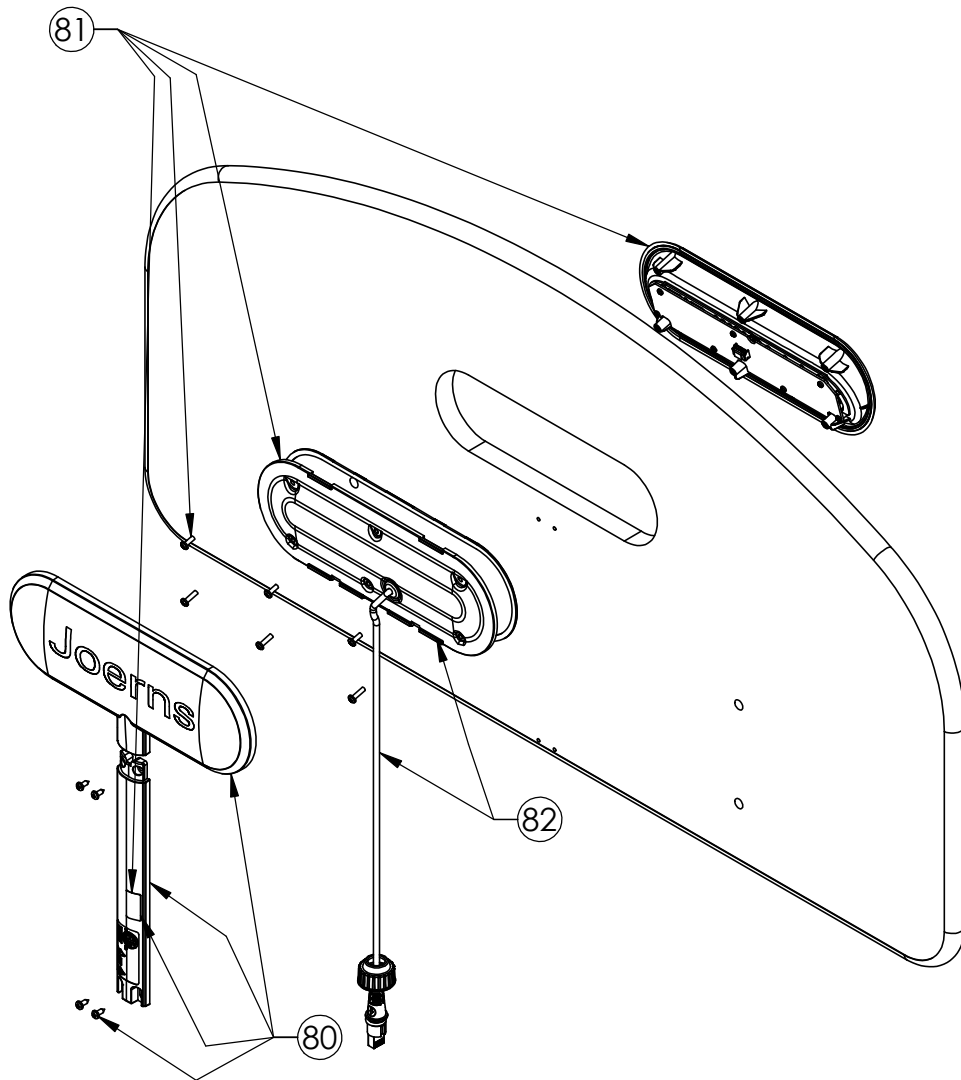


**KNEE CABLE REPLACEMENT
KIT 39000979 IS INTENDED FOR
USE WITH THIS ACTUATOR HOUSING



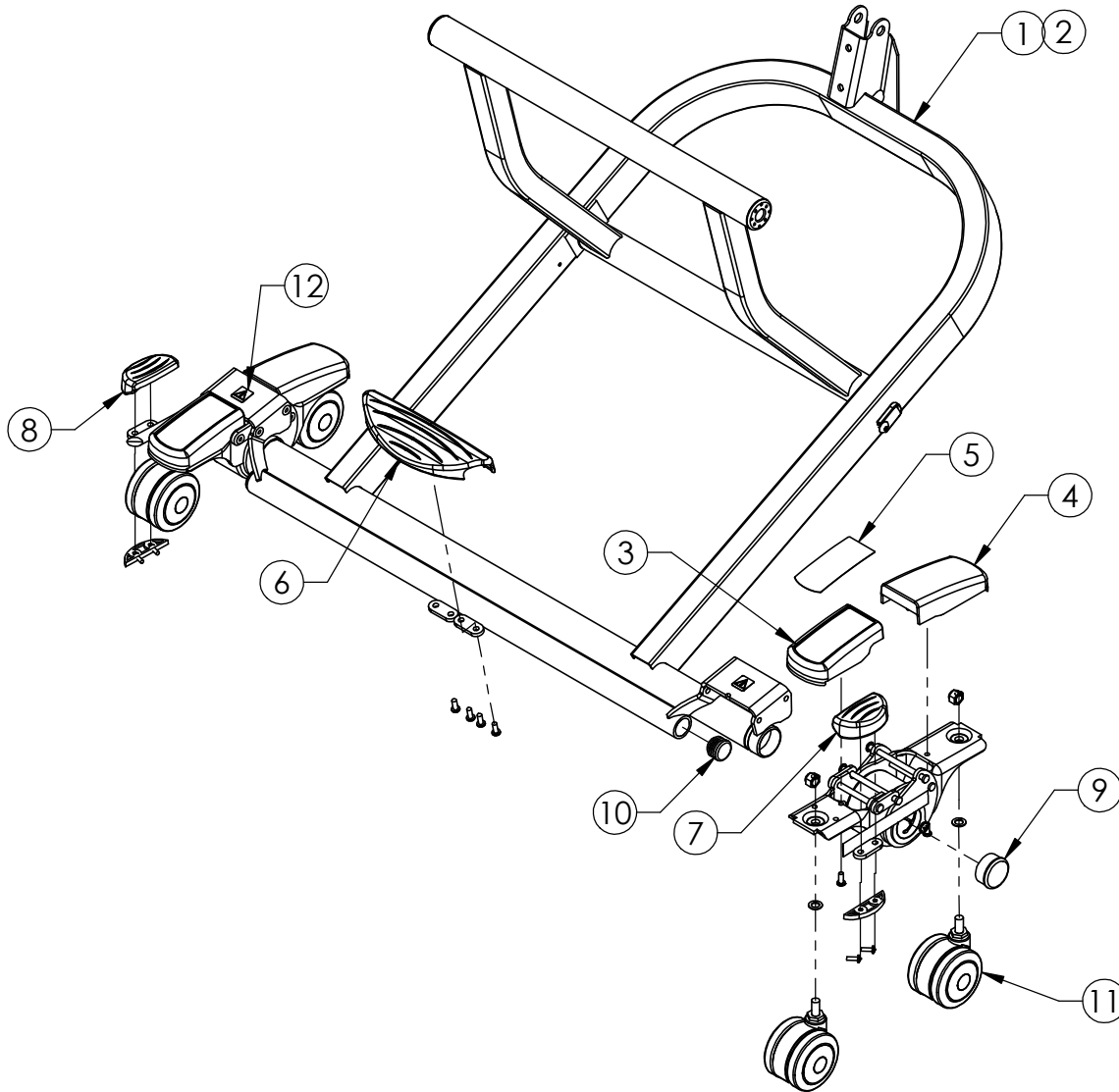
***KNEE CABLE REPLACEMENT
KIT 39001075 IS INTENDED FOR
USE WITH THIS ACTUATOR HOUSING

**STAFF CONTROL PANEL COMPONENTS
76" AND 80" VERSIONS
MODEL: ULTRACARE XT**



ITEM	PART NUMBER	DESCRIPTION
80	39001114	KIT, STAFF CONTROL COVERS, STANDARD, SOFT TONE
	39001013	KIT, STAFF CONTROL COVERS, STANDARD, BROWN
	39001115	KIT, STAFF CONTROL COVERS, ADVANCED, SOFT TONE
	39001015	KIT, STAFF CONTROL COVERS, ADVANCED, BROWN
81	39001112	KIT, STAFF CONTROL, STANDARD, SOFT TONE
	39001007	KIT, STAFF CONTROL, STANDARD, BROWN
	39001113	KIT, STAFF CONTROL, ADVANCED, SOFT TONE
	39001009	KIT, STAFF CONTROL, ADVANCED, BROWN
82	39001016	KIT, STAFF CONTROL, CABLE AND COVER

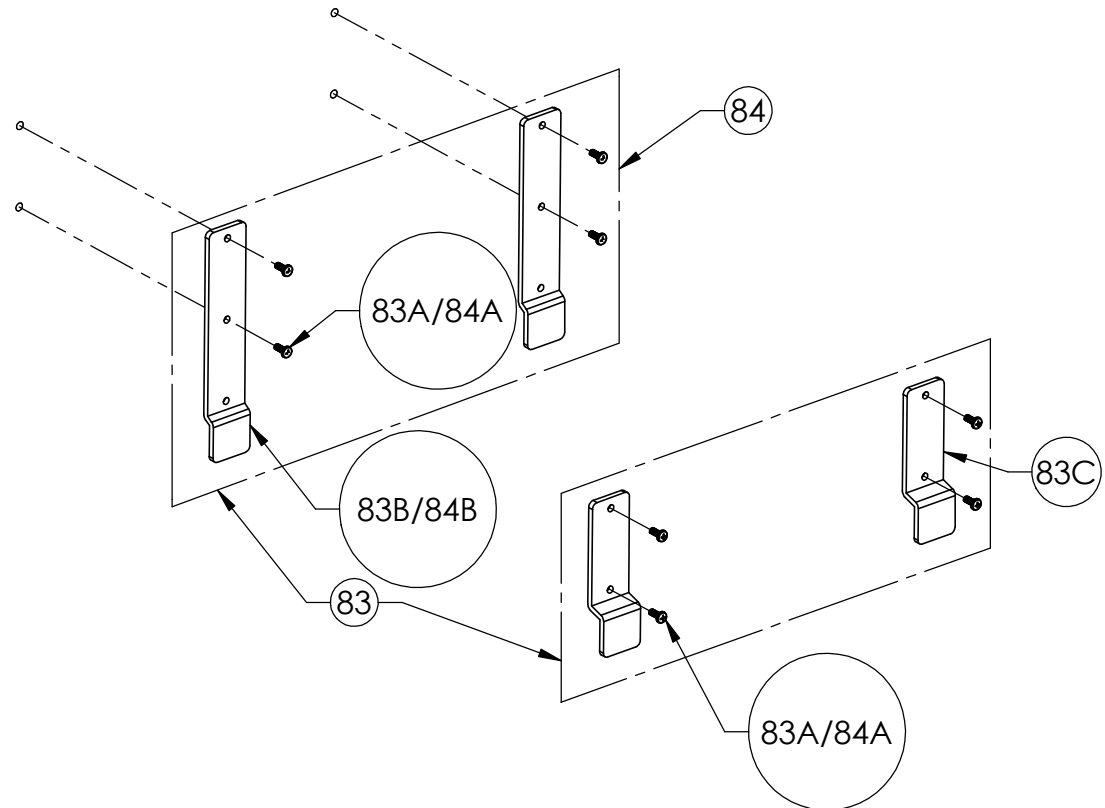
**ULTRALOCK COMPONENTS
76" AND 80" VERSIONS
MODEL: ULTRACARE XT**



ITEM	PART NUMBER	DESCRIPTION
1	39001029AL or 39001029BN	KIT, LEG ASSEMBLY w/ ULTRALOCK, HEAD (ALL PARTS SHOWN, HARDWARE, INSTRUCTIONS)
2	39001030AL or 39001030BN	KIT, LEG ASSEMBLY w/ ULTRALOCK, FOOT (ALL PARTS SHOWN, HARDWARE, INSTRUCTIONS)
3	39001031	KIT, ULTRALOCK FRONT COVER (ONE COVER, LABEL, HARDWARE, INSTRUCTIONS)
4	39001032	KIT, ULTRALOCK REAR COVER (ONE COVER, HARDWARE, INSTRUCTIONS)
5	39001033	KIT, ULTRALOCK FRONT COVER LABEL (ONE LABEL, INSTRUCTIONS)
6	39001034	KIT, ULTRALOCK CENTER PEDAL (PEDAL, HARDWARE, INSTRUCTIONS)
7	39001035	KIT, ULTRALOCK RIGHT SIDE PEDAL (PEDAL, CAP, HARDWARE, INSTRUCTIONS)
8	39001036	KIT, ULTRALOCK LEFT SIDE PEDAL (PEDAL, CAP, HARDWARE, INSTRUCTIONS)
9	39001037	KIT, TUBE CAP, 1-1/2" (ONE CAP, INSTRUCTIONS)
10	39001038	KIT, TUBE CAP, 1-1/8" (ONE CAP, INSTRUCTIONS)
11	39001041	KIT, CASTER STEM ASSEMBLY (ONE CASTER, HARDWARE, INSTRUCTIONS)
12	39001042	KIT, CAUTION LABEL (ONE LABEL, INSTRUCTIONS)

**NOTE: "AL" SUFFIX DESIGNATES SOFT TONE PAINTED PARTS;
"BN" SUFFIX DESIGNATES RAVEN BROWN PAINTED PARTS**

**PANEL COMPONENTS
76" AND 80" VERSIONS
MODEL: ULTRACARE XT**



ITEM 83 35000713AL OR 35000713BN HARDWARE, HEAD AND FOOT PANEL

ITEM	PART NUMBER	DESCRIPTION	QTY.
83A	12542590	SCREW, 1/4-20 x 3/4"	8
83B	11012848AL or 11012848BN	BRACKET, HEAD PANEL	2
83C	11012724AL or 11012724BN	BRACKET, PANEL, FOOT	2
NOT SHOWN	6150316	INSTALLATION INSTRUCTIONS	1

ITEM 84 35000714AL or 35000714BN HARDWARE, HEAD PANEL

ITEM	PART NUMBER	DESCRIPTION	QTY.
84A	12542590	SCREW, 1/4-20 x 3/4"	4
84B	11012848AL OR 11012848BN	BRACKET, HEAD PANEL	2
NOT SHOWN	6150316	INSTALLATION INSTRUCTIONS	1

**NOTE: "AL" SUFFIX DESIGNATES SOFT TONE PAINTED PARTS;
"BN" SUFFIX DESIGNATES RAVEN BROWN PAINTED PARTS**



Joerns Healthcare Warranty Program for Joerns® UltraCare® XT Bed, Model UCXT

Joerns UltraCare XT Beds, Model UCXT, are guaranteed for a period of five years from the date of delivery, against defects in materials and workmanship, under normal use and service.

This five-year warranty includes all mechanical and electrical components.

Steel structural components on beds are covered under warranty for a period of 15 years from the date of delivery.

Welds are covered under warranty for the lifetime¹ of the product.

Damage caused by use in unsuitable environmental conditions, abuse or failure to maintain the product in accordance with user and service instructions is not covered.

Any alteration, modification, or repair unless performed by or authorized in writing by Joerns Healthcare, will void this warranty.

Parts

Joerns beds contain various parts that wear from normal use. These parts, such as DC batteries, are not covered under the stated warranty but are covered for 90 days after date of delivery.

¹ Weld lifetime defined as 20 years.

Joerns Healthcare's obligation under this warranty is limited to supplying replacement parts, servicing or replacing, at its option, any product which is found by Joerns Healthcare to be defective.

Warranty replacement parts are covered by the terms of this warranty until the product's original stated warranty period expires.

When requested by Joerns Healthcare, parts must be returned for inspection at the customer's expense. Credit will be issued only after inspection.

Service

Most service requests can be handled by the facility Maintenance Department with assistance from the Joerns Healthcare Product Service Department.

Most parts requested can be shipped next day air at the customer's expense.

Should a technician be required, one will be provided by Joerns Healthcare, at our discretion. Only the Joerns Healthcare Product Service Department can dispatch authorized technicians.

This warranty is extended to the original purchaser of the equipment.

Manufactured by:
Joerns Healthcare
2100 Design Rd. Ste 100
Arlington, TX 76014

Post Acute, Acute, HomeCare
2430 Whitehall Park Dr. Ste 100
Charlotte, NC 28273
(P) 800.826.0270
(F) 800.457.8827

VA/Government
19748 Dearborn Street
Chatsworth, CA 91311
(P) 800.966.6662
(F) 800.232.9796

Canadian Office
6325 Dixie Rd Unit 7
Mississauga, ON Canada L5T 2E5
(P) 866.546.1151
(F) 519.451.8662

**United Kingdom and
Other Countries**
+44 (0)844 811 1156
+44 (0)844 811 1157

Netherlands
+31 (0)30 6363700
+31 (0)30 6363799