



Parts List

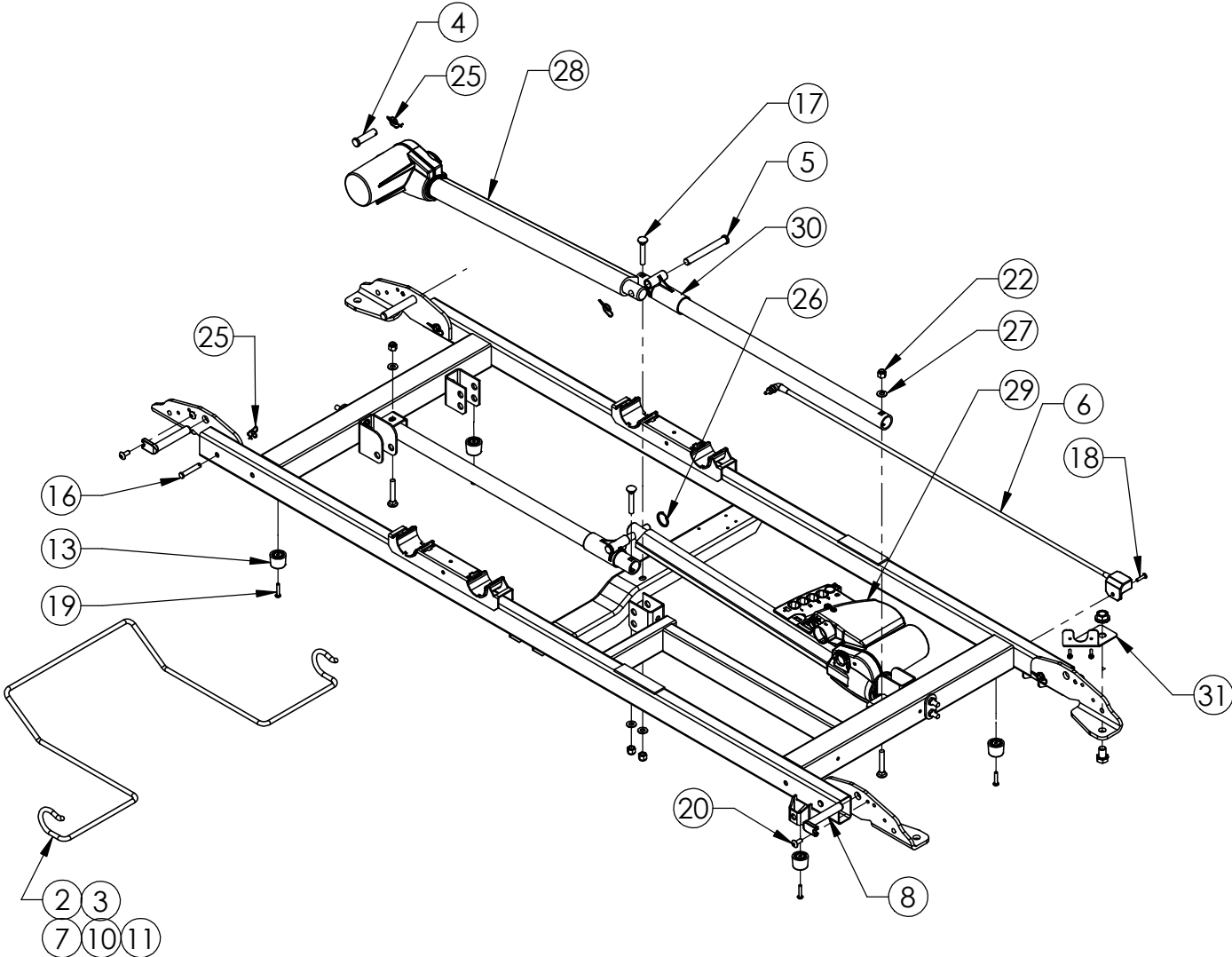
Joerns[®] Bed Frames

EasyCare[®]

To avoid injury, read user's manual before using.



FRAME COMPONENTS
76" AND 80" VERSION
MODEL: EASYCARE 500

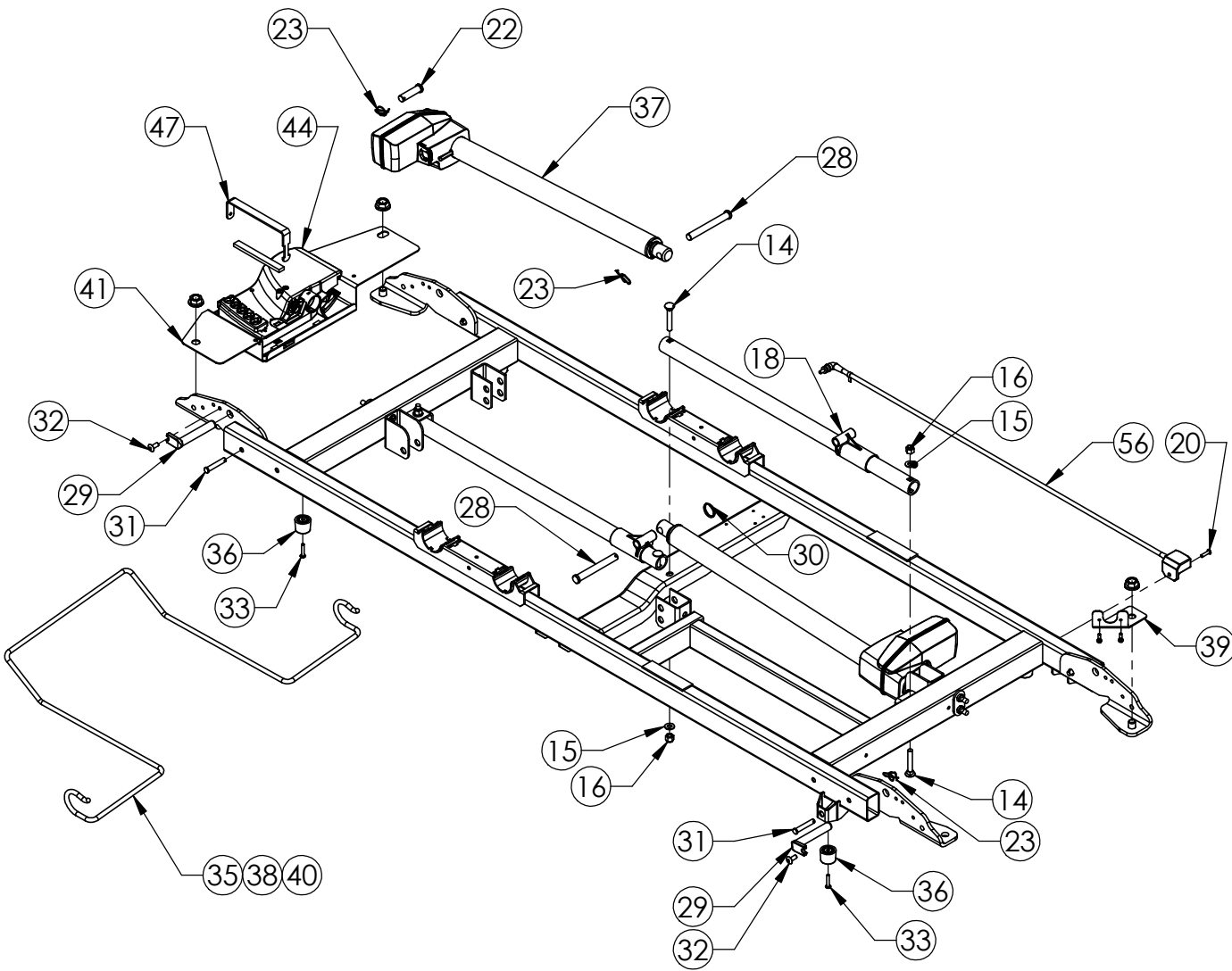


**FRAME COMPONENTS
76" AND 80" VERSION
MODEL: EASYCARE 500**

| ITEM NO. | PART NUMBER | DESCRIPTION |
|-----------|-------------|---|
| NOT SHOWN | N511 | KIT, BATTERY BACKUP (BATTERY, CHARGER, HARDWARE) |
| NOT SHOWN | 6110158 | MANUAL, USER, EASYCARE |
| 2 | 11011866AL | BUMPER, WALL, 80" |
| 3 | 11011899AL | BUMPER, WALL, 80" TRAPEZE |
| 4 | 11012238 | PIN, SLEEP SURFACE PIVOT (INCLUDED WITH ACTUATOR KIT) |
| 5 | 11012361 | PIVOT PIN, LEG/ACTUATOR (INCLUDED WITH ACTUATOR KIT) |
| 6 | 11012449 | CORD, PATCH, BATTERY PACK |
| 7 | 11012608AL | BUMPER, WALL, TRT/TRAPEZE |
| 8 | 11012662 | PIN, STABILIZER PIVOT |
| NOT SHOWN | 11012840 | PENDANT, 8-FUNCTION, ADVANCED |
| 10 | 11012851AL | BUMPER, WALL, 80" STANDARD |
| 11 | 11012852AL | BUMPER, WALL, 76" STANDARD |
| NOT SHOWN | 11012990 | PENDANT, 6-FUNCTION, STANDARD |
| 13 | 11013253 | BUMPER STOP |
| 16 | 11014747 | PIN, PANEL MOUNTING |
| 17 | 12523159 | BOLT, CARRIAGE, 5/16-18 X 2" |
| 18 | 12551017 | SCREW, THREAD FORMING, #10-32 X 3/4" |
| 19 | 12551030 | SCREW, THREAD FORMING, #10-24 X 1" |
| 20 | 12552592 | SCREW, THREAD FORMING, 1/4-20 X 5/8" |
| 22 | 12673105 | NUT, LOCK, 5/16-18 |
| 25 | 12800032 | RING, RUE™ (INCLUDED WITH ACTUATOR KIT) |
| 26 | 12809807 | RING, KICKOUT (INCLUDED WITH ACTUATOR KIT) |
| 27 | 12847531 | WASHER, 5/16" I.D. |
| 28 | 39000968 | KIT, ACTUATOR, HI/LO (ONE ACTUATOR, TWO HI-LO GLIDES AND ATTACHING HARDWARE) |
| 29 | 39000967 | KIT, CONTROL BOX (CONTROL BOX ONLY) |
| NOT SHOWN | 39000974 | KIT, POWER CORD, CLASS 1 (POWER CORD AND CABLE TIES) |
| NOT SHOWN | 39000975 | KIT, POWER CORD, CLASS 2 (POWER CORD AND CABLE TIES) |
| NOT SHOWN | 39001051 | KIT, CONTROL HARNESS (CONTROL HARNESS AND ATTACHING HARDWARE) |
| 30 | 39001070 | KIT, REPLACEMENT, HI-LO GLIDE (TWO HI-LO GLIDES AND ATTACHING HARDWARE) |
| 31 | 39001704 | KIT, BRACKET, STAFF CONTROL HARNESS (BRACKET AND HARDWARE) |

NOTE: GROUND WIRES AND ATTACHING HARDWARE ARE NOT SHOWN - REFER TO LENGTH OF WIRE ASSEMBLIES ON BED IF REPLACEMENT IS REQUIRED

FRAME COMPONENTS
80" VERSION
MODEL: EASYCARE 600

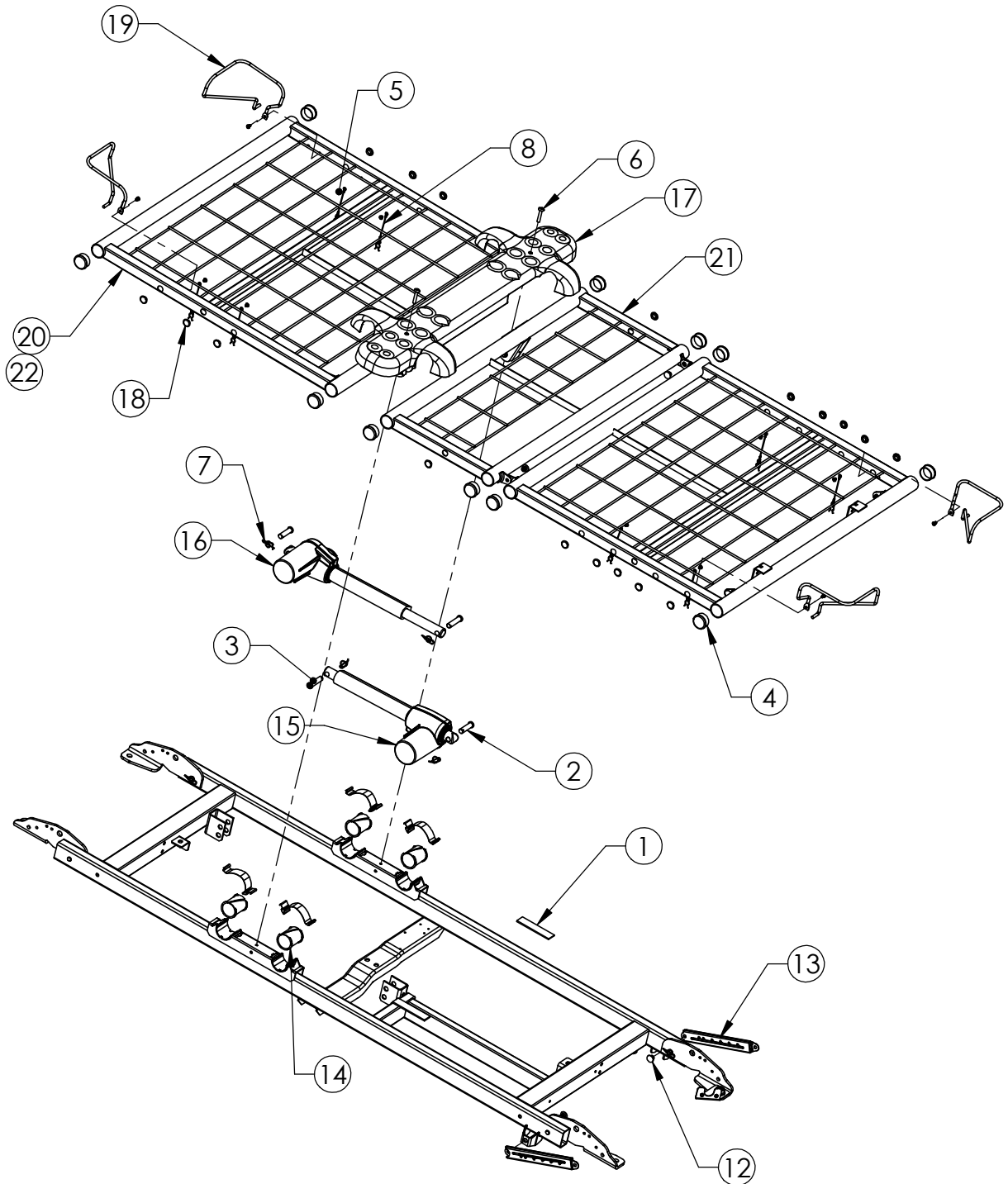


FRAME COMPONENTS
80" VERSION
MODEL: EASYCARE 600

| ITEM NO. | PART NUMBER | DESCRIPTION |
|-----------|-------------|---|
| NOT SHOWN | N511 | KIT, BATTERY BACKUP (BATTERY, CHARGER, HARDWARE) |
| NOT SHOWN | 6110345 | MANUAL, USER, EASYCARE 600 |
| 35 | 11011899AL | BUMPER, WALL, 80" TRAPEZE |
| 38 | 11012851AL | BUMPER, WALL, 80" STANDARD |
| 40 | 11012608AL | BUMPER, WALL, TRT/TRAPEZE |
| NOT SHOWN | 11012840 | PENDANT, 8-FUNCTION, ADVANCED |
| NOT SHOWN | 11012990 | PENDANT, 6-FUNCTION, STANDARD |
| 22 | 11012238 | PIN, SLEEP SURFACE PIVOT |
| 31 | 11014747 | PIN, PANEL MOUNTING |
| 23 | 12800032 | RING, RUE™ (INCLUDED WITH ACTUATOR KITS) |
| 28 | 11012361 | PIVOT PIN, LEG/ACTUATOR |
| 30 | 12809807 | RING, KICKOUT |
| 29 | 11012662 | PIN, STABILIZER PIVOT |
| 32 | 12552592 | SCREW, THREAD FORMING, 1/4-20 X 5/8" |
| 36 | 11013253 | BUMPER, STOP |
| 33 | 12551030 | SCREW, THREAD FORMING, #10-24 X 1" |
| 14 | 12523159 | BOLT, CARRIAGE, 5/16-18 X 2" |
| 16 | 12673105 | NUT, LOCK, 5/16-18 |
| 15 | 12847531 | WASHER, 5/16" I.D. |
| 18 | 39001070 | KIT, REPLACEMENT, HI-LO GLIDE (TWO HI-LO GLIDES AND ATTACHING HARDWARE) |
| 56 | 39001721 | KIT, CORD, PATCH, BATTERY PACK (CABLE AND HARDWARE) |
| 20 | 12551017 | SCREW, THREAD FORMING, #10-32 X 3/4" |
| NOT SHOWN | 39001713 | KIT, POWER CORD, CLASS I (POWER CORD AND CABLE TIES) |
| NOT SHOWN | 39001714 | KIT, POWER CORD, CLASS II (POWER CORD AND CABLE TIES) |
| 44 | 39001702 | KIT, CONTROL BOX (CONTROL BOX AND HARDWARE) |
| 41 | 39001700AL | KIT, SUPPORT BRACKET, CONTROLLER (BRACKET AND HARDWARE) |
| 47 | 39001701 | KIT, RETAINER STRAP, CONTROLLER (STRAP, FOAM STRIP, AND HARDWARE) |
| 39 | 39001704 | KIT, BRACKET, STAFF CONTROL HARNESS (BRACKET AND HARDWARE) |
| NOT SHOWN | 39001705 | KIT, CABLE, HEAD END HI-LO ACTUATOR (CABLE AND HARDWARE) |
| NOT SHOWN | 39001706 | KIT, CABLE, FOOT END HI-LO ACTUATOR (CABLE AND HARDWARE) |
| 37 | 39001722 | KIT, HI-LO ACTUATOR (ONE HI-LO ACTUATOR AND HARDWARE) |

NOTE: GROUND WIRES AND ATTACHING HARDWARE ARE NOT SHOWN - REFER TO LENGTH OF WIRE ASSEMBLIES ON BED IF REPLACEMENT IS REQUIRED

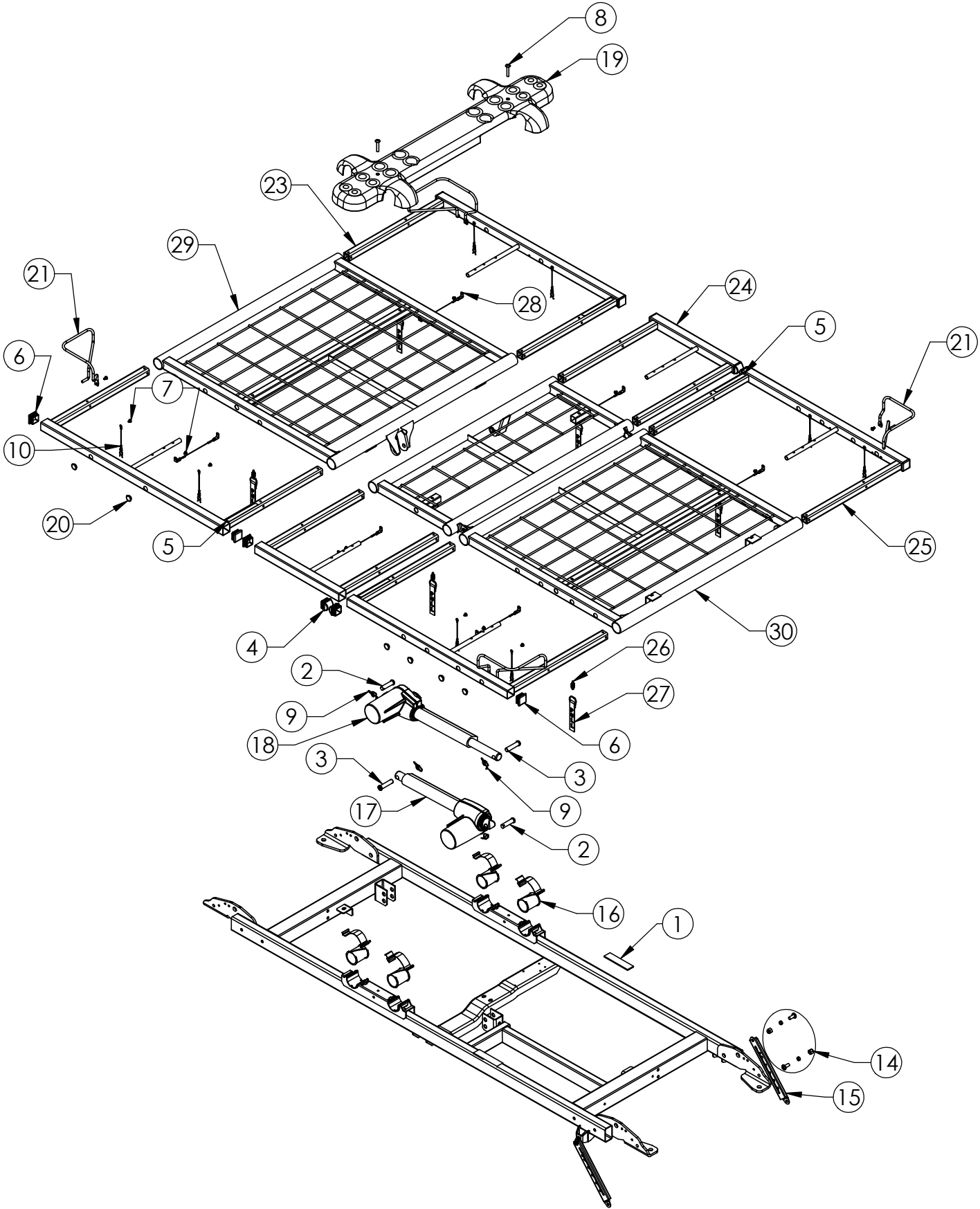
MATTRESS SUPPORT
35" FIXED WIDTH
76" AND 80" VERSION
MODELS: EASYCARE 500



MATTRESS SUPPORT
 35" FIXED WIDTH
 76" AND 80" VERSION
 MODEL: EASYCARE 500

| ITEM NO. | PART NUMBER | DESCRIPTION |
|----------|-------------|---|
| 1 | 11011331 | PAD, STOP, KNEE/LEG |
| 2 | 11012238 | PIN, SLEEP SURFACE PIVOT |
| 3 | 11014113 | PIN, CLEVIS, 12mm X 1.8" |
| 4 | 12470474 | CAP, TUBE, 1.5" DIA. |
| 5 | 12551015 | SCREW, 10-32 X 1/4" |
| 6 | 12552590 | SCREW, 1/4-20 X 1-1/2" |
| 7 | 12800032 | RING, RUE™ (INCLUDED WITH ACTUATOR KITS) |
| 8 | 24005271 | CLIP ASSEMBLY, SIDE RAIL |
| 12 | 39000052 | KIT, RIVET REPLACEMENT (REPLACES TWO RIVETS) |
| 13 | 39000794 | KIT, FOOT, LEVELER, GATCH (ONE GATCH LEVER AND ATTACHING HARDWARE) |
| 14 | 39000802 | KIT, MATTRESS DECK BEARING (SPRING CLIPS AND BEARINGS FOR BOTH SIDES) |
| 15 | 39000972 | KIT, ACTUATOR, BACK (ACTUATOR AND ATTACHING HARDWARE) |
| 16 | 39000973 | KIT, ACTUATOR, KNEE (ACTUATOR AND ATTACHING HARDWARE) |
| 17 | 39000980 | KIT, SEAT PAN, SOFT TONE (SEAT PAN AND ATTACHING HARDWARE) |
| 18 | 39001159 | KIT, SIDE RAIL PLUGS (16 PLUGS) |
| 19 | 39001317 | KIT, SET, MATTRESS RETAINER (FOUR RETAINERS AND ATTACHING HARDWARE) |
| 20 | 39001707 | KIT, 80" BACK SECTION, FIXED WIDTH (COMPLETE BACK SECTION w/ ALL HARDWARE) |
| 21 | 39001760 | KIT, KNEE/FOOT SECTION, FIXED WIDTH (COMPLETE KNEE/FOOT SECTIONS w/ ALL HARDWARE) |
| 22 | 39001841 | KIT, 76" BACK SECTION, FIXED WIDTH (COMPLETE BACK SECTION w/ ALL HARDWARE) |

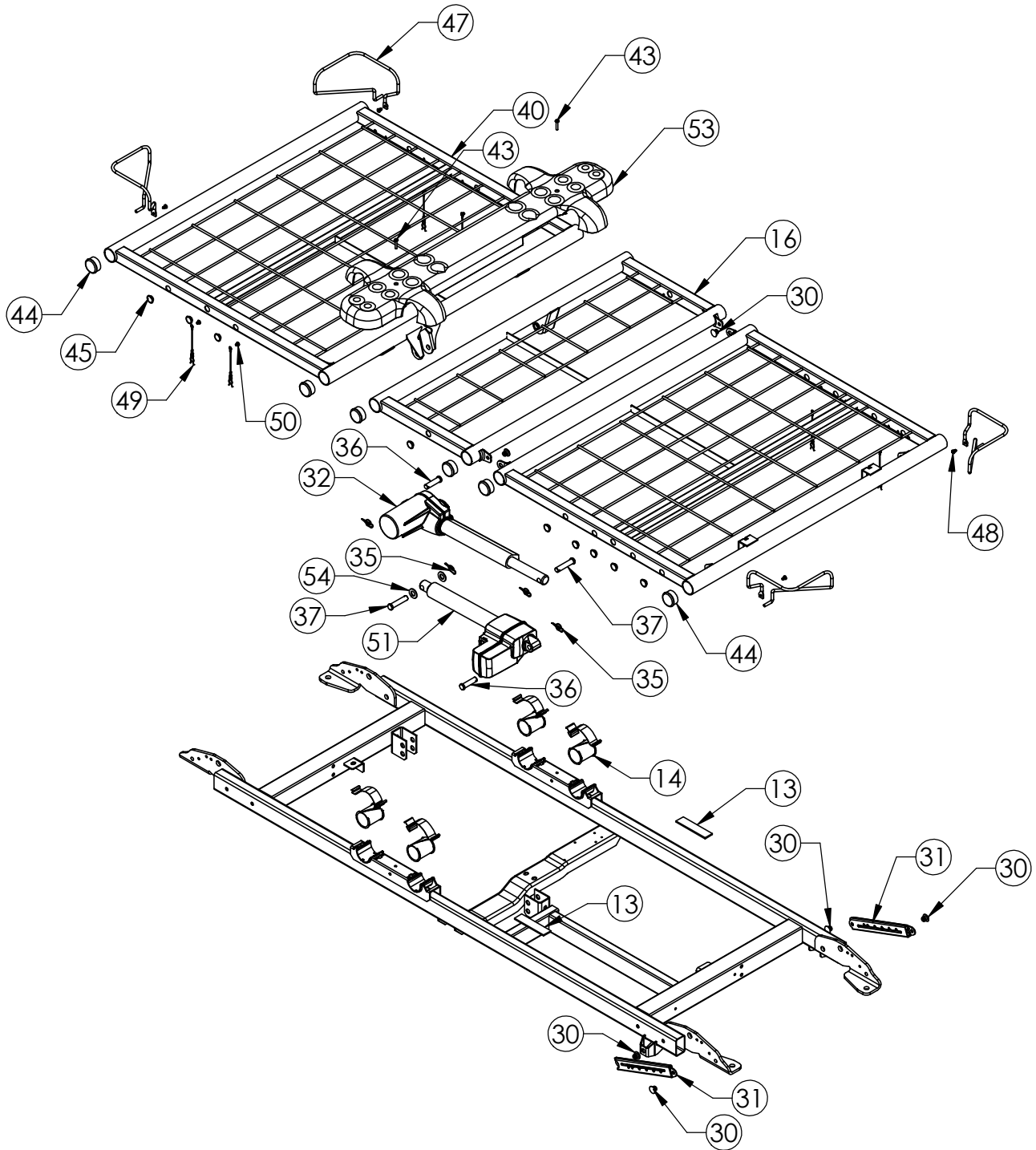
MATTRESS SUPPORT
INTEGRATED WIDTH
80" VERSION
MODEL: EASYCARE 500



**MATTRESS SUPPORT
INTEGRATED WIDTH
80" VERSION
MODEL: EASYCARE 500**

| ITEM NO. | PART NUMBER | DESCRIPTION |
|-----------|-------------|---|
| 1 | 11011331 | PAD, STOP, KNEE/LEG |
| 2 | 11012238 | PIN, SLEEP SURFACE PIVOT (INCLUDED WITH ACTUATOR KITS) |
| 3 | 11014113 | PIN, CLEVIS, 12mm X 1.8" (INCLUDED WITH ACTUATOR KITS) |
| 4 | 11014727 | PLUG, DOMED, TUBE |
| 5 | 11014734 | LABEL, INDEXING |
| 6 | 12470477 | CAP, 1 1/4" |
| 7 | 12551015 | SCREW, THREAD FORMING, #10-32 X 1/4" |
| 8 | 12552590 | SCREW, THREAD FORMING, 1/4-20 X 1 1/2" |
| 9 | 12800032 | RING, RUE™ (INCLUDED WITH ACTUATOR KITS) |
| 10 | 24005271 | CLIP ASSEMBLY, SIDE RAIL |
| 14 | 39000052 | KIT, RIVET, REPLACEMENT (REPLACES TWO RIVETS) |
| 15 | 39000794 | KIT, FOOT, LEVELER, GATCH (ONE GATCH LEVER AND ATTACHING HARDWARE) |
| 16 | 39000802 | KIT, MATTRESS DECK BEARING (SPRING CLIPS AND BEARINGS FOR BOTH SIDES) |
| 17 | 39000972 | KIT, ACTUATOR, BACK (ACTUATOR AND ATTACHING HARDWARE) |
| 18 | 39000973 | KIT, ACTUATOR, KNEE (ACTUATOR AND ATTACHING HARDWARE) |
| 19 | 39000980 | KIT, SEAT PAN, SOFT TONE (SEAT PAN AND ATTACHING HARDWARE) |
| 20 | 39001159 | KIT, SIDE RAIL PLUGS (16 PLUGS) |
| 21 | 39001317 | KIT, SET, MATTRESS RETAINER (FOUR RETAINERS AND ATTACHING HARDWARE) |
| NOT SHOWN | 39001372 | KIT, TETHER AND HARDWARE (FOR PRE-2015 BEDS) (SIX WIRE TETHERS AND ATTACHING HARDWARE) |
| 23 | 39001373AL | KIT, BACK SECTION, SLIDE OUT EXTENSION (EXTENSIONS FOR BOTH SIDES) |
| 24 | 39001374AL | KIT, KNEE SECTION, SLIDE OUT EXTENSION (EXTENSIONS FOR BOTH SIDES) |
| 25 | 39001375AL | KIT, FOOT SECTION, SLIDE OUT EXTENSION (EXTENSIONS FOR BOTH SIDES) |
| 26 | 11015773 | PIN, SPRING PLUNGER |
| 27 | 11015774 | TETHER, PULL |
| 28 | 39001470 | KIT, TETHER AND HARDWARE (SIX WIRE TETHERS AND ATTACHING HARDWARE) |
| 29 | 39001715 | KIT, BACK SECTION (COMPLETE BACK SECTION w/ EXTENSIONS AND ALL HARDWARE) |
| 30 | 39001761 | KIT, KNEE/ FOOT SECTION (COMPLETE KNEE/FOOT SECTIONS w/ EXTENSIONS AND ALL HARDWARE) |

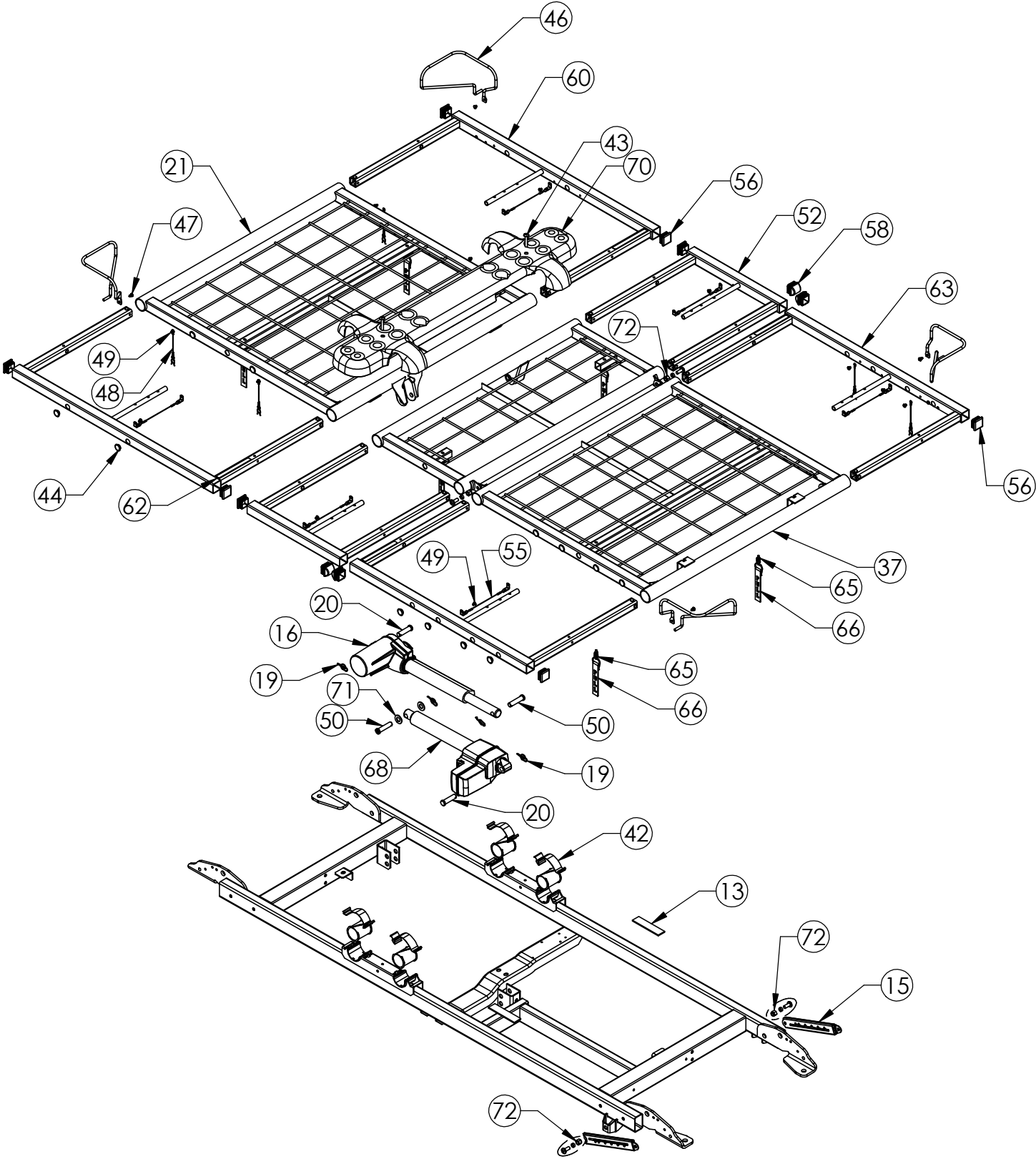
MATTRESS SUPPORT
35" FIXED WIDTH
80" VERSION
MODELS: EASYCARE 600



**MATTRESS SUPPORT
35" FIXED WIDTH
80" VERSION
MODELS: EASYCARE 600**

| ITEM NO. | PART NUMBER | DESCRIPTION |
|-----------|-------------|--|
| 13 | 11011331 | PAD, STOP, KNEE/LEG |
| 36 | 11012238 | PIN, SLEEP SURFACE PIVOT |
| 37 | 11014113 | PIN, CLEVIS, 12mm X 1.8" |
| 44 | 12470474 | CAP, TUBE, 1.5" DIA. |
| 50 | 12551015 | SCREW, 10-32 X 1/4" |
| 43 | 12552590 | SCREW, 1/4-20 X 1-1/2" |
| 35 | 12800032 | RING, RUE™ (INCLUDED WITH ACTUATOR KITS) |
| 49 | 24005271 | CLIP ASSEMBLY, SIDE RAIL |
| 30 | 39000052 | KIT, RIVET REPLACEMENT (REPLACES TWO RIVETS) |
| 31 | 39000794 | KIT, FOOT, LEVELER, GATCH (ONE GATCH LEVER AND ATTACHING HARDWARE) |
| 14 | 39000802 | KIT, MATTRESS DECK BEARING (SPRING CLIPS AND BEARINGS FOR BOTH SIDES) |
| 16 | 39001760 | KIT, KNEE/FOOT SECTION, FIXED WIDTH (COMPLETE KNEE/FOOT SECTION w/ ALL HARDWARE) |
| 51 | 39001718 | KIT, ACTUATOR, BACK (ACTUATOR AND ATTACHING HARDWARE) |
| 32 | 39000973 | KIT, ACTUATOR, KNEE (ACTUATOR AND ATTACHING HARDWARE) |
| 53 | 39000980 | KIT, SEAT PAN, SOFT TONE (SEAT PAN AND ATTACHING HARDWARE) |
| 45 | 39001159 | KIT, SIDE RAIL PLUGS (16 PLUGS) |
| 47 | 39001317 | KIT, SET, MATTRESS RETAINER (FOUR RETAINERS AND ATTACHING HARDWARE) |
| NOT SHOWN | 39001719 | KIT, MOTOR CABLE, BACK ACTUATOR (CABLE AND ATTACHING HARDWARE) |
| NOT SHOWN | 39001720 | KIT, MOTOR CABLE, KNEE ACTUATOR (CABLE AND ATTACHING HARDWARE) |
| 48 | 12551013 | SCREW, 10-32 X 3/8" (INCLUDED WITH MATTRESS RETAINER KIT) |
| 54 | 904064-0 | WASHER, NYLON, 1" OD x 1/2" ID |
| 40 | 39001707 | KIT, 80" BACK SECTION, FIXED WIDTH (COMPLETE BACK SECTION W/ ALL HARDWARE) |
| NOT SHOWN | 39001703 | KIT, CONTROL HARNESS (CONTROL HARNESS AND ATTACHING HARDWARE) |

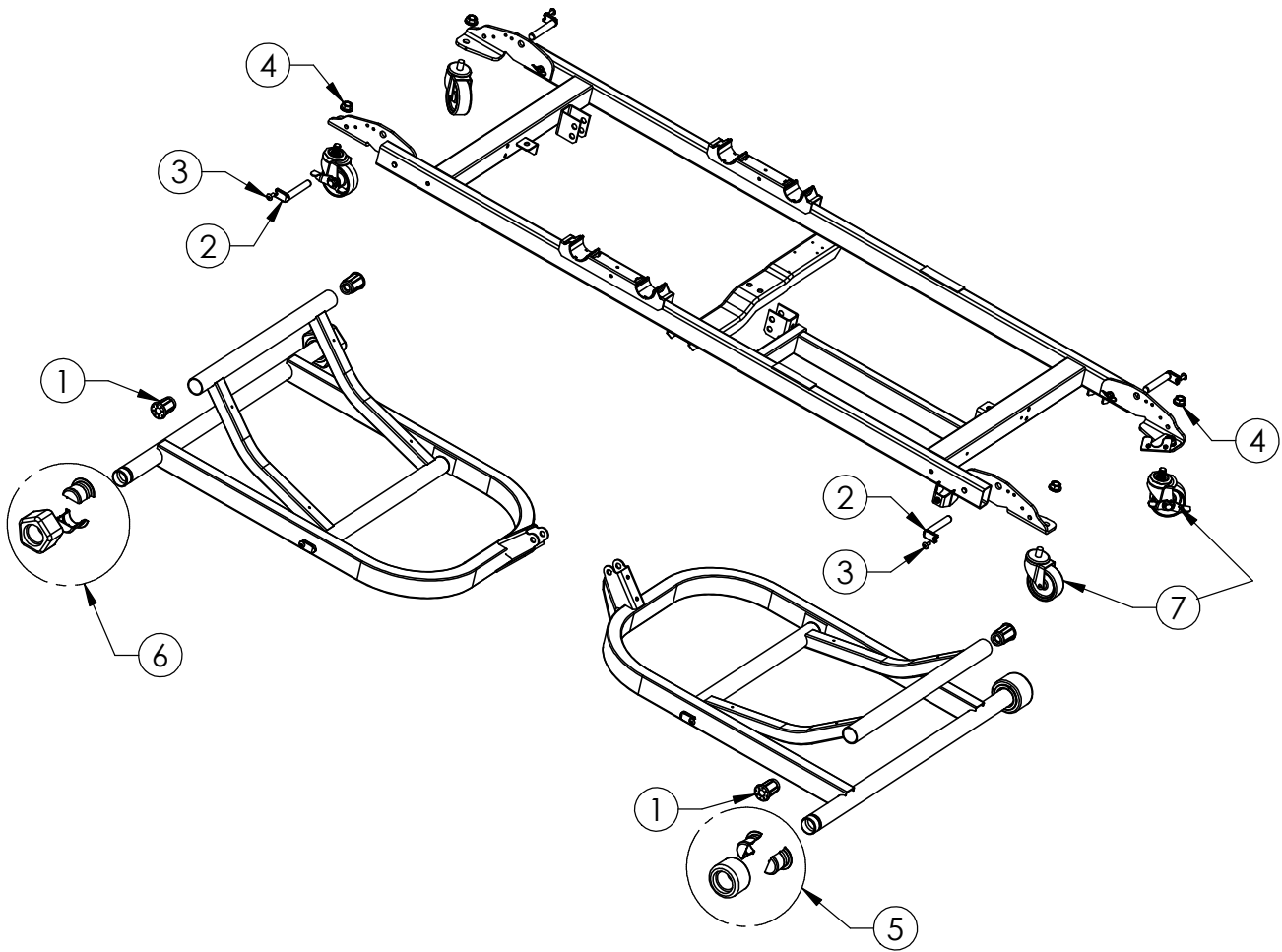
MATTRESS SUPPORT
INTEGRATED WIDTH
80" VERSION
MODEL: EASYCARE 600



**MATTRESS SUPPORT
INTEGRATED WIDTH
80" VERSION
MODEL: EASYCARE 600**

| ITEM NO. | PART NUMBER | DESCRIPTION |
|-----------|-------------|--|
| 13 | 11011331 | PAD, STOP, KNEE/LEG |
| 15 | 39000794 | KIT, GATCH, FOOT LEVELER (ONE GATCH LEVER AND ATTACHING HARDWARE) |
| 16 | 39000973 | KIT, ACTUATOR, KNEE (ACTUATOR AND ATTACHING HARDWARE) |
| 19 | 12800032 | RING, RUE™ (INCLUDED WITH ACTUATOR KITS) |
| 20 | 11012238 | PIN, SLEEP SURFACE PIVOT |
| 21 | 39001715 | KIT, BACK SECTION, INT. WIDTH (COMPLETE BACK SECTION, EXTENSIONS, ALL HDWE) |
| 37 | 39001761 | KIT, KNEE/FOOT SECTION, INT. WIDTH (COMPLETE KNEE/FOOT SECTION w/ EXTENSIONS AND ALL HARDWARE) |
| 42 | 39000802 | KIT, MATTRESS DECK BEARING (SPRING CLIPS AND BEARINGS FOR BOTH SIDES) |
| 43 | 12552590 | SCREW, THREAD FORMING, 1/4-20 x 1-1/2" |
| 44 | 39001159 | KIT, SIDE RAIL PLUGS (16 PLUGS) |
| 46 | 39001317 | KIT, MATTRESS RETAINER (FOUR RETAINERS AND ATTACHING HARDWARE) |
| 47 | 12551013 | SCREW, THREAD FORMING, #10-32 x 3/8" (INCLUDED W/ RETAINER KIT) |
| 48 | 24005271 | CLIP ASSEMBLY, SIDE RAIL |
| 49 | 12551015 | SCREW, THREAD FORMING, #10-32 x 1/4" |
| 50 | 11014113 | PIN, CLEVIS, 12mm x 1.8" |
| 52 | 39001374AL | KIT, KNEE SECTION, SLIDE OUT EXTENSION (EXTENSIONS FOR BOTH SIDES) |
| 55 | 39001470 | KIT, TETHER (SIX WIRE TETHERS AND ATTACHING HARDWARE) |
| 56 | 12470477 | CAP, TUBE, 1-1/4" |
| 58 | 11014727 | PLUG, TUBE, DOMED |
| 60 | 39001373AL | KIT, BACK SECTION, SLIDE OUT EXTENSION (EXTENSIONS FOR BOTH SIDES) |
| 62 | 11014734 | LABEL, INDEXING |
| 63 | 39001375AL | KIT, FOOT SECTION, SLIDE OUT EXTENSION (EXTENSIONS FOR BOTH SIDES) |
| 65 | 11015773 | PIN, SPRING PLUNGER |
| 66 | 11015774 | TETHER, PULL STRAP |
| 68 | 39001718 | KIT, BACK ACTUATOR (ACTUATOR AND ATTACHING HARDWARE) |
| 70 | 39000980 | KIT, SEAT PAN (SEAT PAN AND ATTACHING HARDWARE) |
| 71 | 904064-0 | WASHER, NYLON, 1" OD x 1/2" ID |
| 72 | 39000052 | KIT, RIVET REPLACEMENT (REPLACES TWO RIVETS) |
| NOT SHOWN | 39001719 | KIT, CABLE, BACK ACTUATOR (ACTUATOR CABLE AND ATTACHING HARDWARE) |
| NOT SHOWN | 39001720 | KIT, CABLE, KNEE ACTUATOR (ACTUATOR CABLE AND ATTACHING HARDWARE) |
| NOT SHOWN | 39001703 | KIT, CONTROL HARNESS (CONTROL HARNESS AND ATTACHING HARDWARE) |

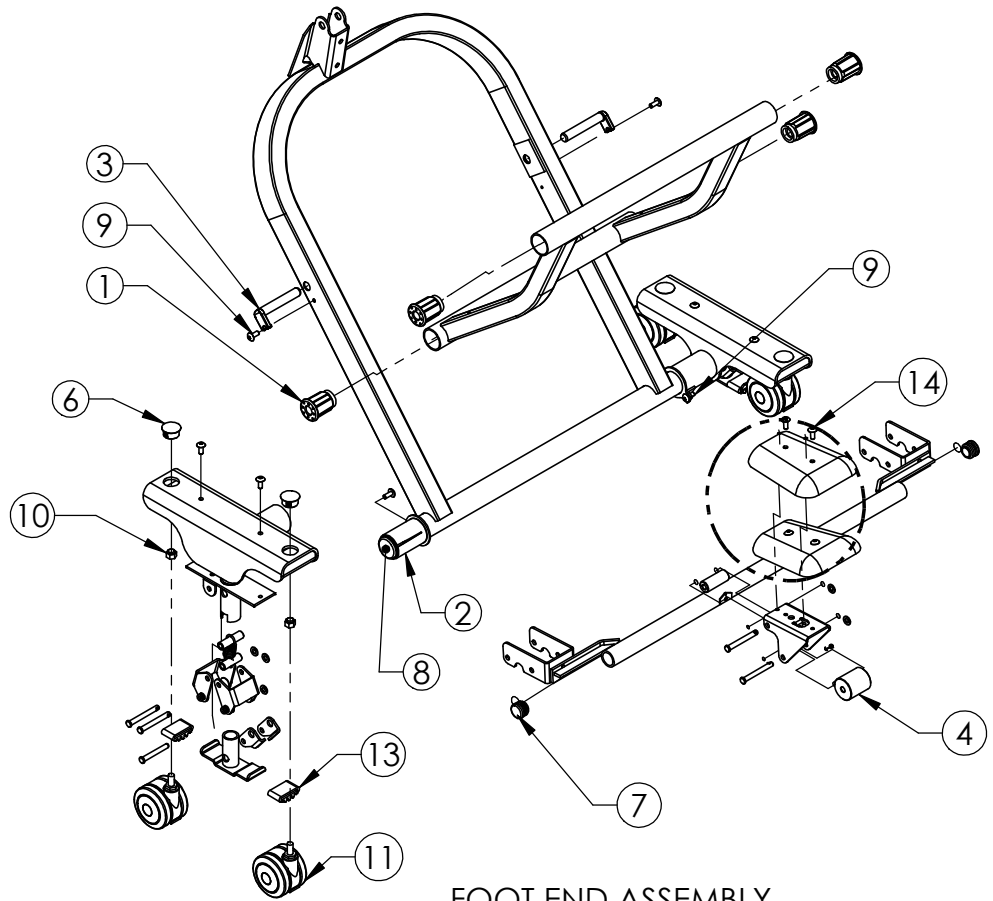
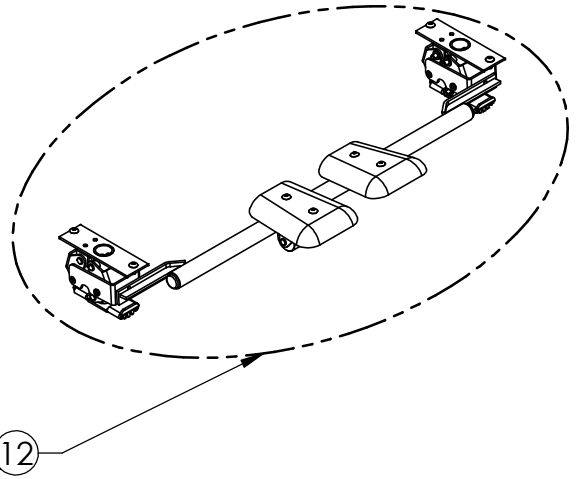
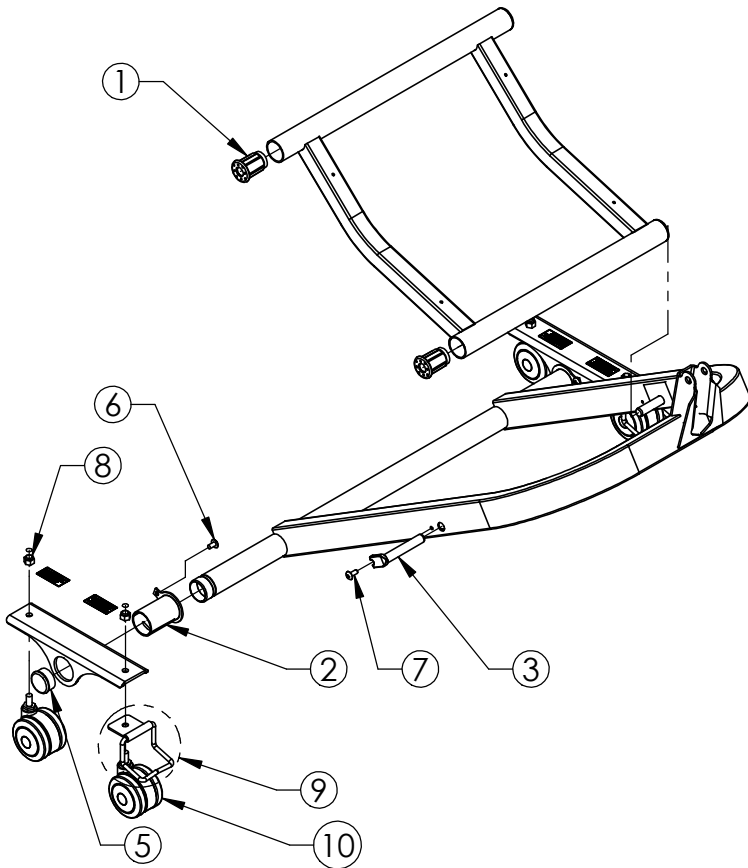
FRAME COMPONENTS
 ROLL IN LOW ONLY
 76" AND 80" VERSIONS
 MODELS: EASYCARE 500 and 600



| ITEM NO. | PART NUMBER | DESCRIPTION |
|----------|-------------|---|
| 1 | 11011230 | BUSHING, STABILIZER |
| 2 | 11012662 | PIN, STABILIZER PIVOT |
| 3 | 12552592 | SCREW, THREAD FORMING, 1/4-20 X 5/8" |
| 4 | 12675024 | NUT, 1/2-13 WHIZ LOCK |
| 5 | 39000792 | KIT, ROLLER HUB, ROUND (ONE HUB ASSEMBLY AND ONE ROLLER) |
| 6 | 39000793 | KIT, ROLLER HUB, PENTAGON (ONE HUB ASSEMBLY AND ONE PENTAGON) |
| 7 | 39000874 | KIT, CASTERS (FOUR CASTERS AND ATTACHING HARDWARE) |

HEAD END ASSEMBLY

FRAME COMPONENTS
SAFETY LOCK
76" AND 80" VERSIONS
MODELS: EASYCARE 500 and 600



FOOT END ASSEMBLY

FRAME COMPONENTS
SAFETY LOCK
76" AND 80" VERSIONS
MODELS: EASYCARE 500 and 600

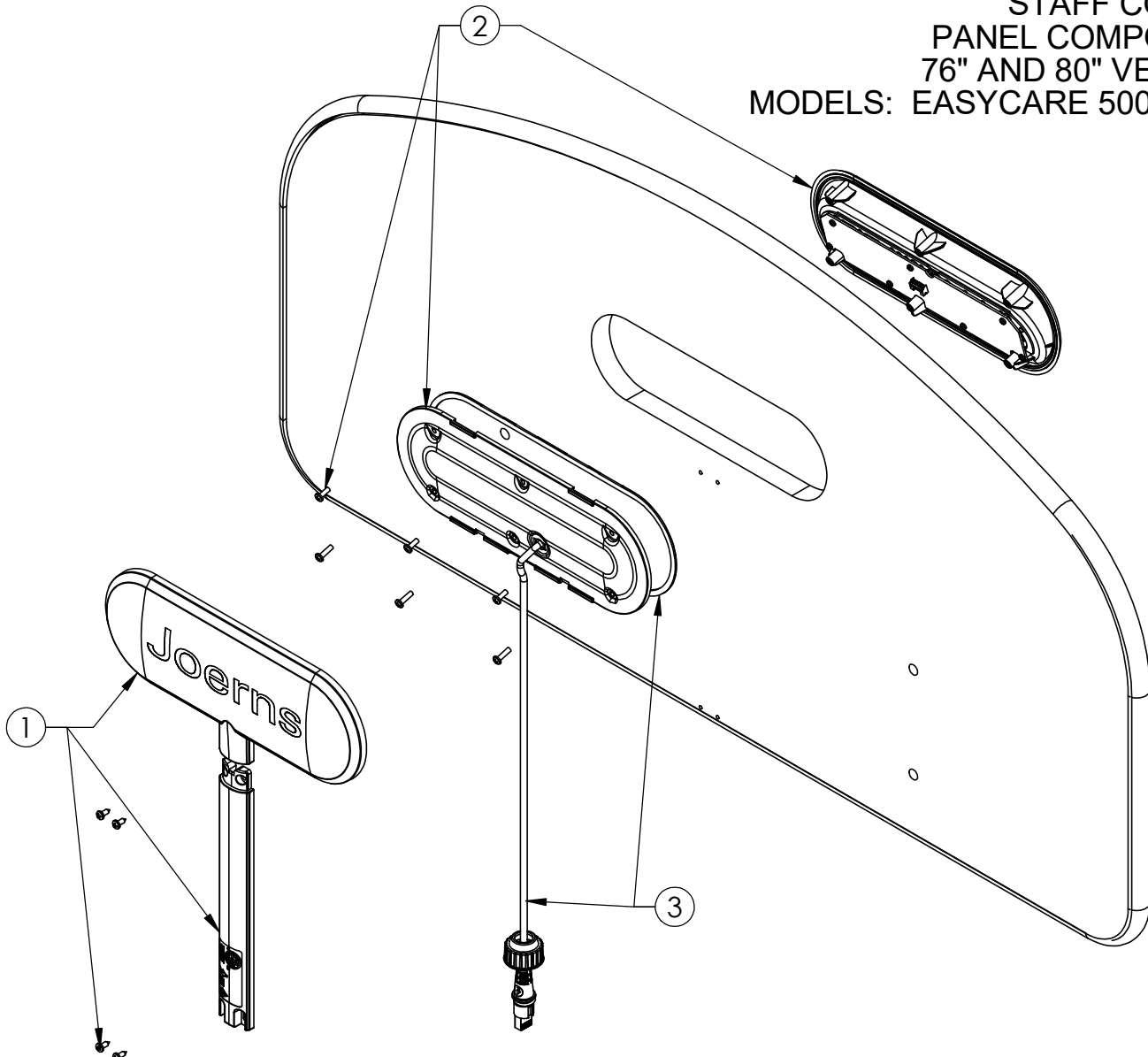
HEAD END ASSEMBLY

| ITEM NO. | PART NUMBER | DESCRIPTION |
|----------|-------------|--|
| 1 | 11011230 | BUSHING, STABILIZER |
| 2 | 11012241 | BEARING, GRIPLOCK |
| 3 | 11012662 | PIN, STABILIZER PIVOT |
| 5 | 12470474 | CAP, TUBE, 1 1/2" DIA. |
| 6 | 12552586 | SCREW, THREAD FORMING, 1/4-20 X 1/2" |
| 7 | 12552592 | SCREW, THREAD FORMING, 1/4-20 X 5/8" |
| 8 | 12673718 | NUT, LOCK, 3/8-16 |
| 9 | 31009115 | ASSEMBLY, CASTER, STRAIGHT LINE |
| 10 | 39001041 | KIT, CASTER 3-INCH (ONE CASTER AND ATTACHING HARDWARE) |

FOOT END ASSEMBLY

| ITEM NO. | PART NUMBER | DESCRIPTION |
|----------|-------------|---|
| 1 | 11011230 | BUSHING, STABILIZER |
| 2 | 11012241 | BEARING, GRIPLOCK |
| 3 | 11012662 | PIN, STABILIZER PIVOT |
| 4 | 39001378 | KIT, SPRING AND ROLLER (SPRING AND ROLLER) |
| 6 | 12470037 | 1" DIA. HOLE PLUG |
| 7 | 12470472 | CAP, TUBE, 1.125" DIA. |
| 8 | 12470474 | CAP, TUBE, 1.5" DIA. |
| 9 | 12552592 | SCREW, THREAD FORMING 1/4-20 X 5/8" |
| 10 | 12673718 | NUT, LOCK, 3/8-16 |
| 11 | 39001041 | KIT, CASTER, 3-INCH (ONE CASTER AND ATTACHING HARDWARE) |
| 12 | 39001371AL | KIT, CARELOCK SUBASSEMBLY (FULL SUBASSEMBLY INCLUDING PEDALS, GRIP PADS, SPRING AND ROLLER, AND ATTACHING HARDWARE) |
| 13 | 39001376 | KIT, PAD, GRIPS (FOUR GRIP PADS) |
| 14 | 39001377 | KIT, FLOOR LOCK, PEDALS (BOTH PEDALS AND ATTACHING HARDWARE) |

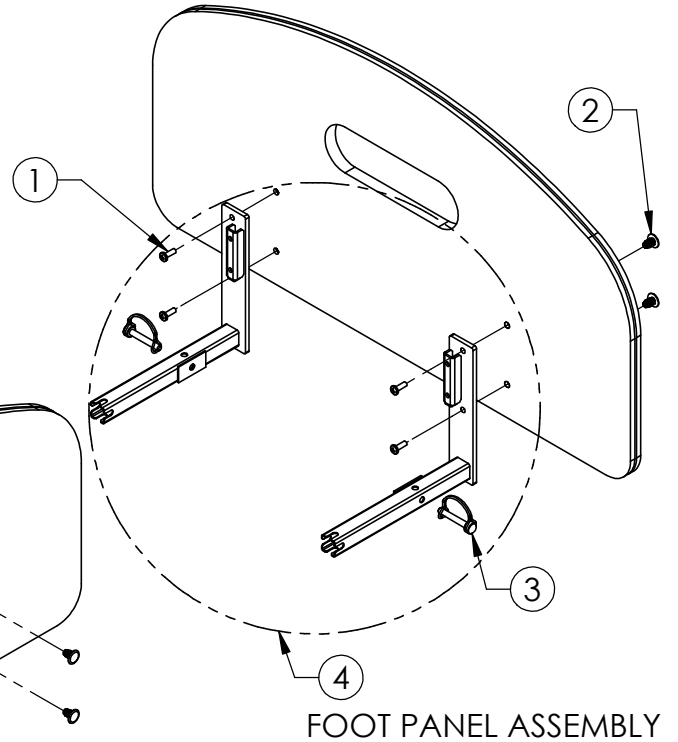
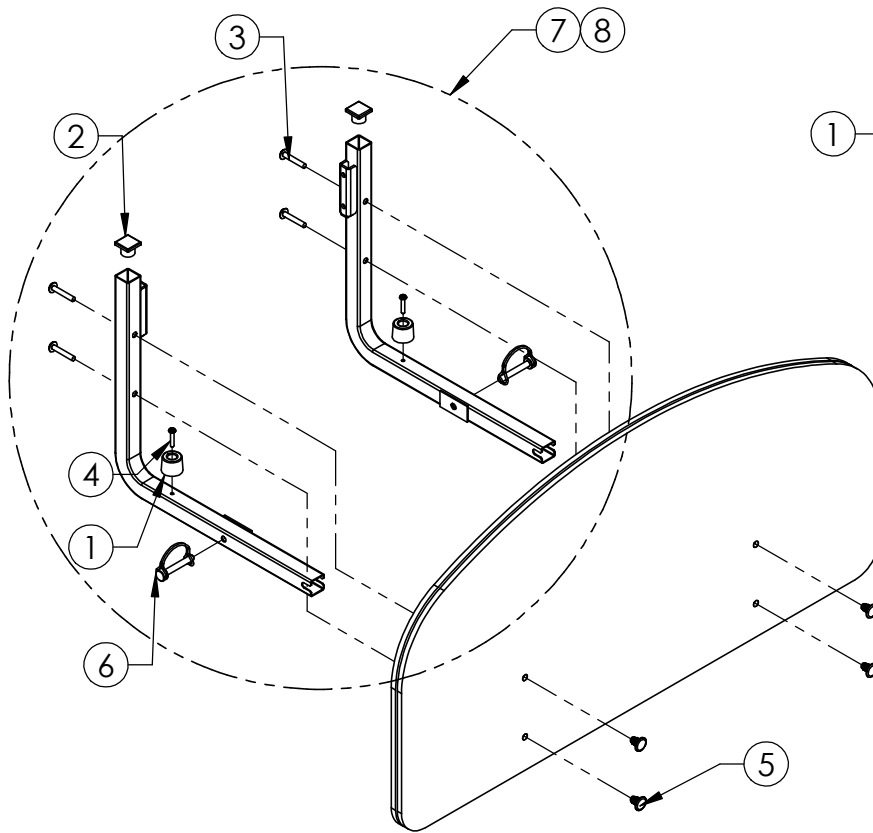
**STAFF CONTROL
PANEL COMPONENTS
76" AND 80" VERSIONS
MODELS: EASYCARE 500 and 600**



| ITEM NO. | PART NUMBER | DESCRIPTION |
|----------|-------------|---|
| 1 | 39001013 | KIT, STAFF CONTROL COVERS, STANDARD, BROWN (BOTH REAR COVERS, ATTACHING HARDWARE) |
| | 39001015 | KIT, STAFF CONTROL COVERS, ADVANCED, BROWN (BOTH REAR COVERS, ATTACHING HARDWARE) |
| | 39001114 | KIT, STAFF CONTROL COVERS, STANDARD, SOFT TONE (BOTH REAR COVERS, ATTACHING HARDWARE) |
| | 39001115 | KIT, STAFF CONTROL COVERS, ADVANCED, SOFT TONE (BOTH REAR COVERS, ATTACHING HARDWARE) |
| 2 | 39001007 | KIT, STAFF CONTROL, STANDARD, BROWN (FRONT AND REAR ASSEMBLIES AND ATTACHING HARDWARE) |
| | 39001009 | KIT, STAFF CONTROL, ADVANCED, BROWN (FRONT AND REAR ASSEMBLIES AND ATTACHING HARDWARE) |
| | 39001112 | KIT, STAFF CONTROL, STANDARD, SOFT TONE (FRONT AND REAR ASSEMBLIES AND ATTACHING HARDWARE) |
| | 39001113 | KIT, STAFF CONTROL, ADVANCED, SOFT TONE (FRONT AND REAR ASSEMBLIES AND ATTACHING HARDWARE) |
| 3 | 39001016 | KIT, STAFF CONTROL, CABLE AND COVER (REAR ASSEMBLY AND ATTACHING HARDWARE) |

**PANEL COMPONENTS
76" AND 80" VERSIONS
MODELS: EASYCARE 500 and 600**

HEAD PANEL ASSEMBLY



HARDWARE, HEAD PANEL

| ITEM NO. | PART NUMBER | DESCRIPTION |
|----------|-------------|--|
| 1 | 11013253 | BUMPER, STOP |
| 2 | 12470467 | CAP, TUBE, 1" x 1" |
| 3 | 12542588 | SCREW, MACHINE, 1/4-20 X 1 1/2" |
| 4 | 12551030 | SCREW, THREAD FORMING, #10-24 X 1" |
| 5 | 12640029 | NUT, THREAD INSERT, 1/4-20 |
| 6 | 12793116 | PIN, SAFETY, 5/16" X 2" |
| 7 | 39001366AL | KIT, HEAD SECTION, PANEL MOUNTING 76" (ALL PARTS DEPICTED EXCEPT PANEL INSERTS) |
| 8 | 39001379AL | KIT, HEAD SECTION, PANEL MOUNTING 80" (ALL PARTS DEPICTED EXCEPT PANEL INSERTS) |

HARDWARE, FOOT PANEL

| ITEM NO. | PART NUMBER | DESCRIPTION |
|----------|-------------|--|
| 1 | 12542590 | SCREW, MACHINE, 1/4-20 X 3/4" |
| 2 | 12640029 | NUT, THREAD INSERT, 1/4-20 |
| 3 | 12793116 | PIN, SAFETY, 5/16" X 2" |
| 4 | 39001380AL | KIT, FOOT SECTION, PANEL MOUNTING (ALL PARTS DEPICTED EXCEPT PANEL INSERTS) |

Notes:



Post Acute, Acute, HomeCare
2430 Whitehall Park Dr. Ste 100
Charlotte, NC 28273
(P) 800.826.0270
(F) 800.457.8827

VA/Government
19748 Dearborn Street
Chatsworth, CA 91311
(P) 800.966.6662
(F) 800.232.9796

Canadian Office
35 Consortium Court
London, ON Canada N6E 2S8
(P) 866.546.1151
(F) 519.451.8662

**United Kingdom and
Other Countries**
+44 (0)844 811 1156
+44 (0)844 811 1157

Netherlands
+31 (0)30 6363700
+31 (0)30 6363799